

Accessibility Fundamentals: Plumbing Elements & Facilities

Agenda

Laws That Mandate Accessibility

- ADA

Building Blocks

- Clear Floor Space
- Knees & Toes
- Reach Range

Plumbing Elements & Facilities

- Drinking Fountains
- Toilet & Bathing Rooms
- Water Closet & Toilet Compartments
- Urinals
- Lavatories & Sinks
- Bathtubs
- Showers Compartments



Accessibility Is...

Accessibility is...

A CIVIL RIGHT!





Laws that Mandate Accessibility

Laws that Mandate Accessibility

- Architectural Barriers Act of 1968 (ABA)
- Section 504 of the Rehabilitation Act of 1973 (Section 504)
- Civil Rights Act of 1968
Fair Housing Amendments Act of 1988 (FHA)
- Americans with Disabilities Act of 1990 (ADA)
- State and Local Codes



Laws that Mandate Accessibility

- Architectural Barriers Act of 1968 (ABA)
- Section 504 of the Rehabilitation Act of 1973 (Section 504)
- Civil Rights Act of 1968
- Fair Housing Amendments Act of 1988 (FHA)
- **Americans with Disabilities Act of 1990 (ADA)**
- State and Local Codes



Laws that Mandate Accessibility

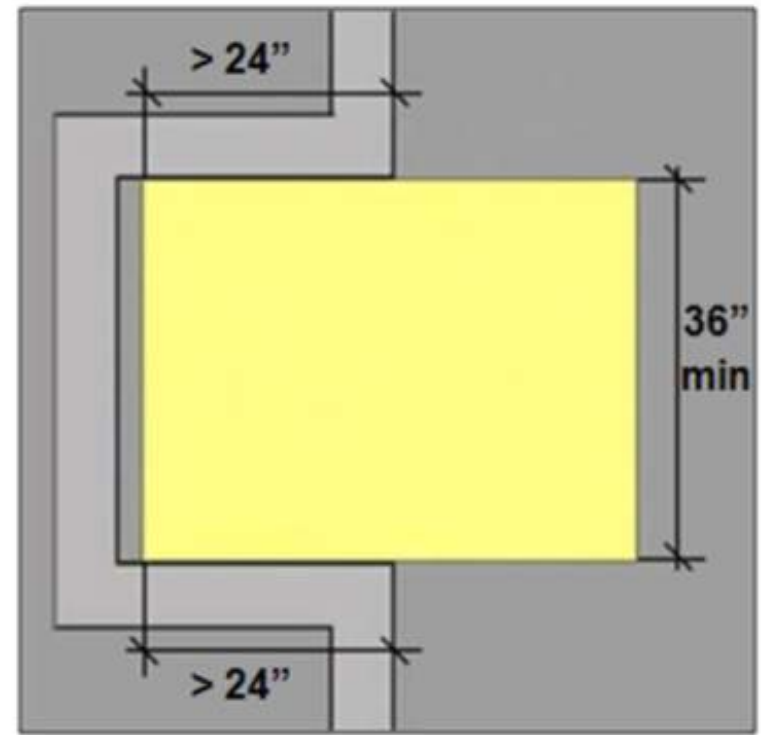
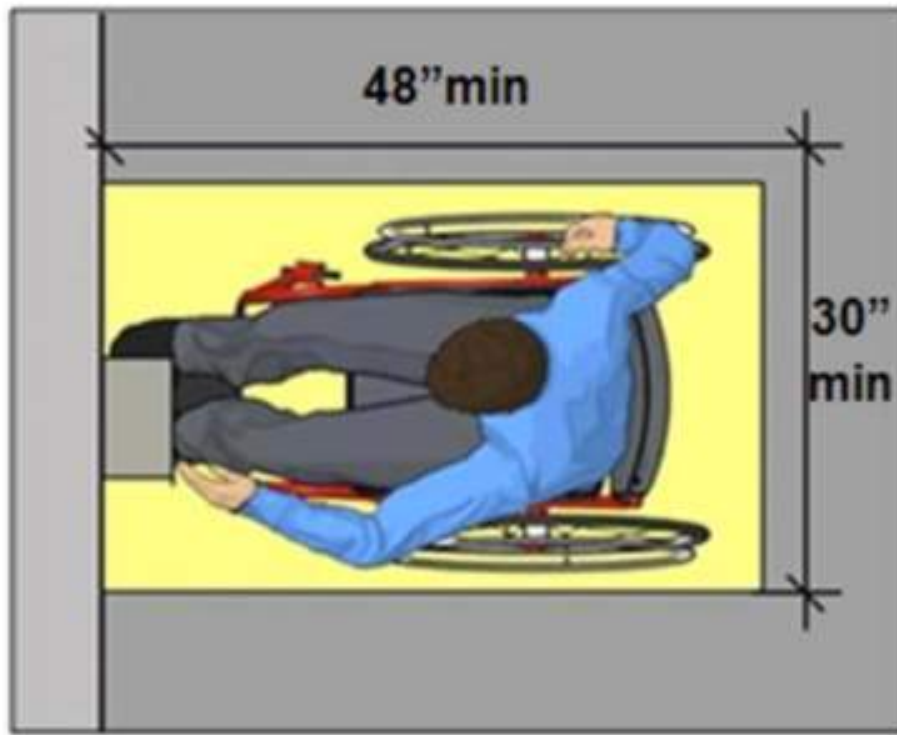
These are Civil Rights Laws - **NOT CODE!**



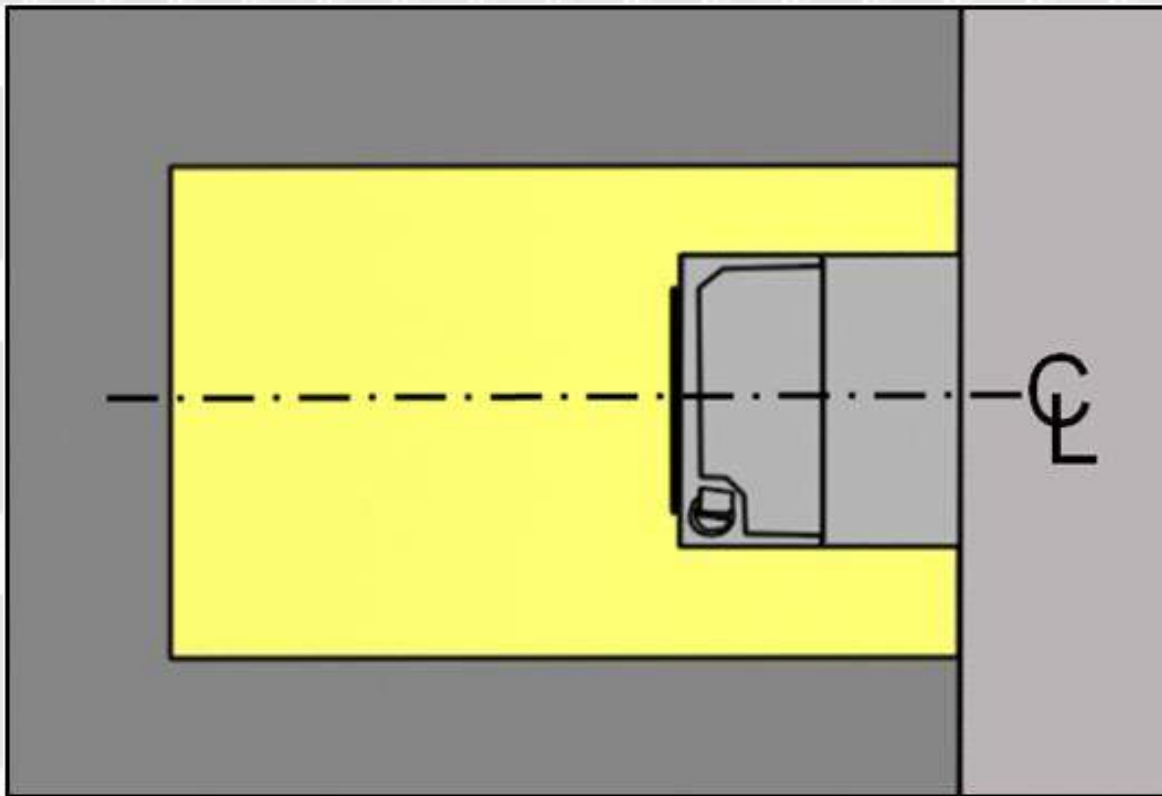


Building Blocks

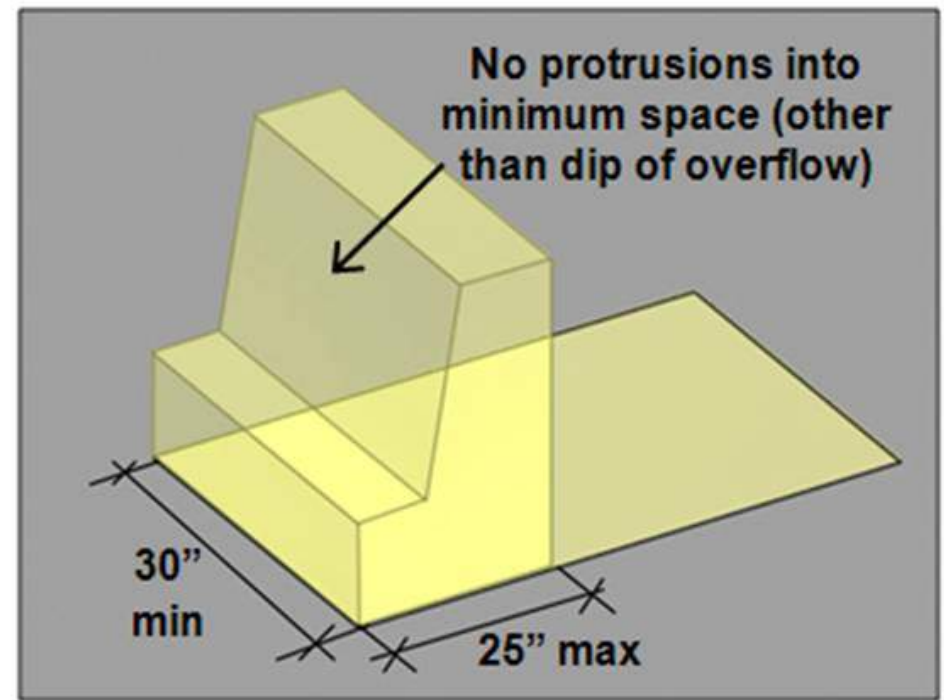
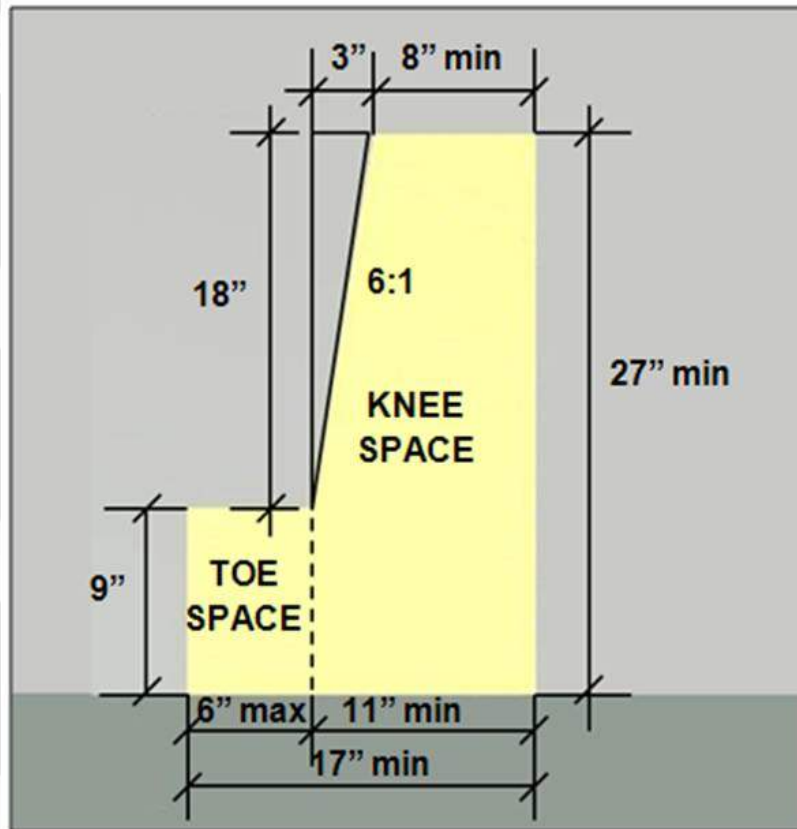
Clear Floor Space



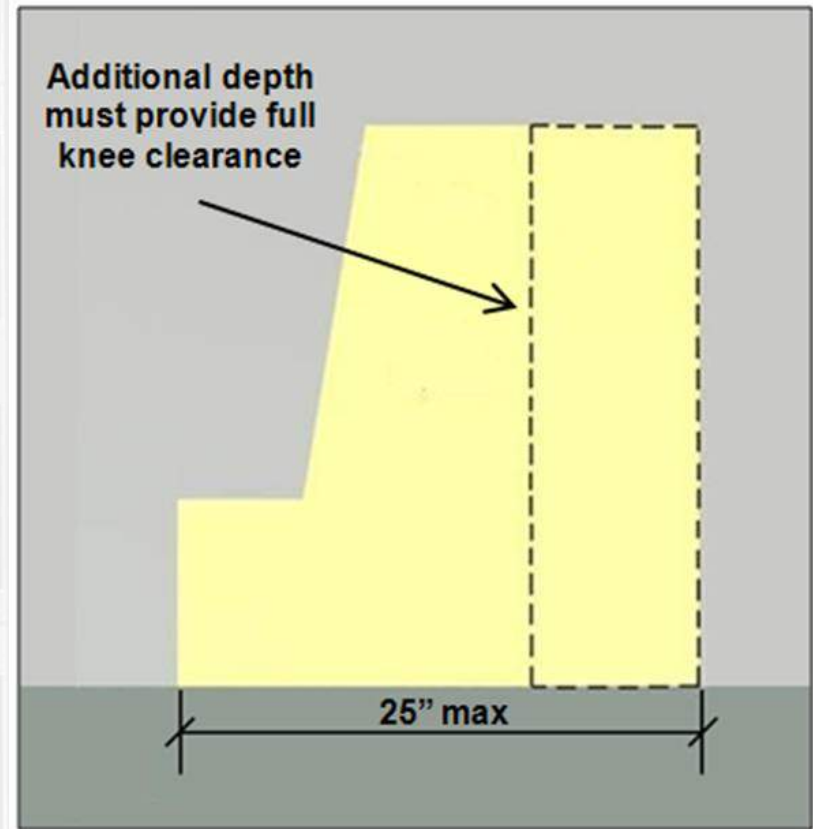
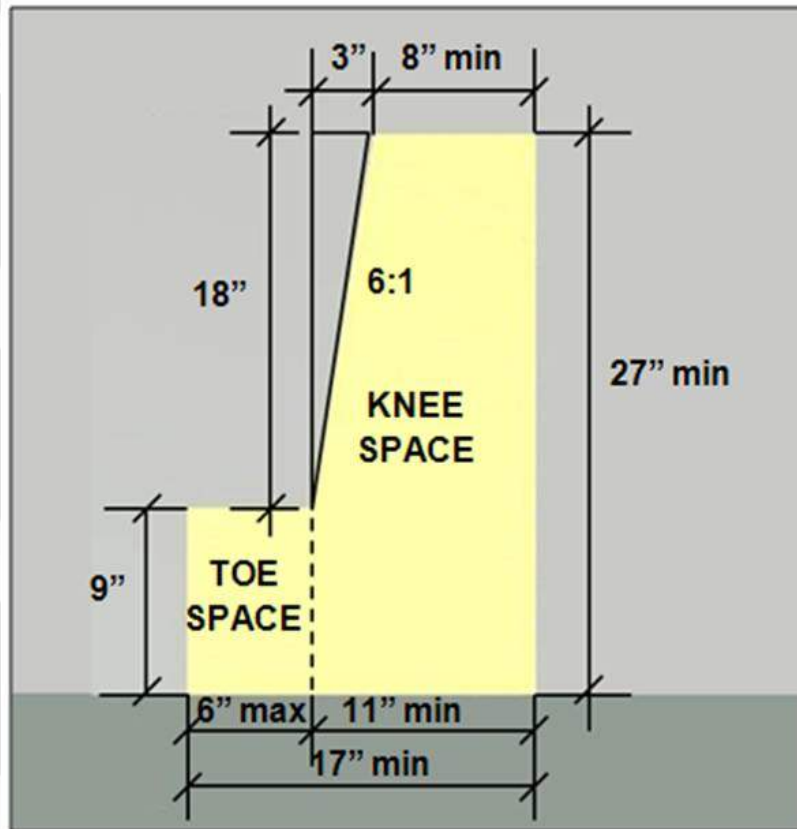
Clear Floor Space - Centering



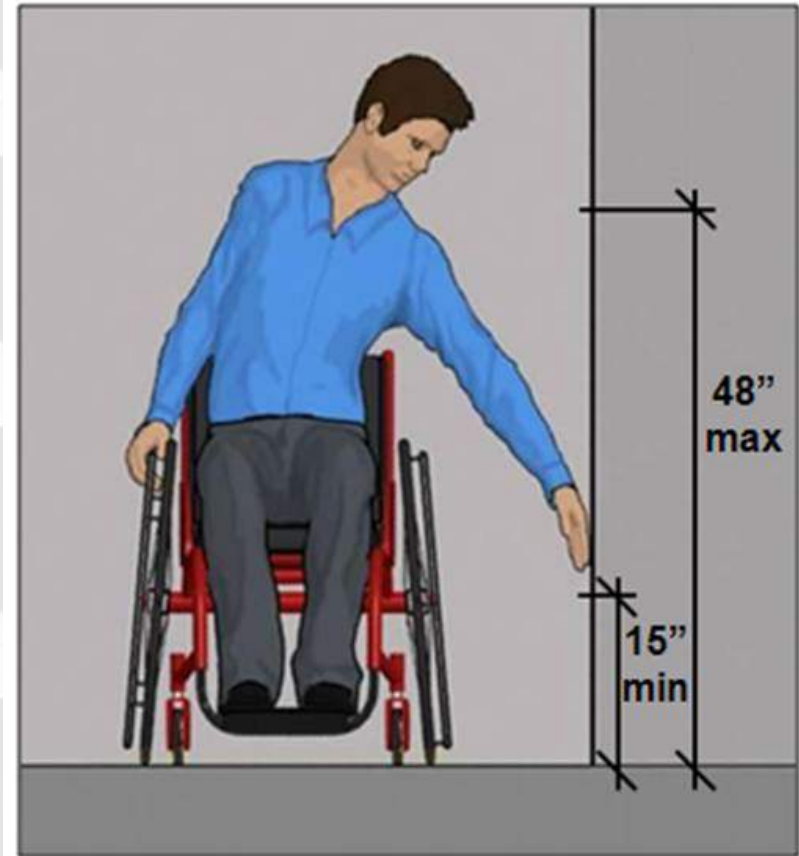
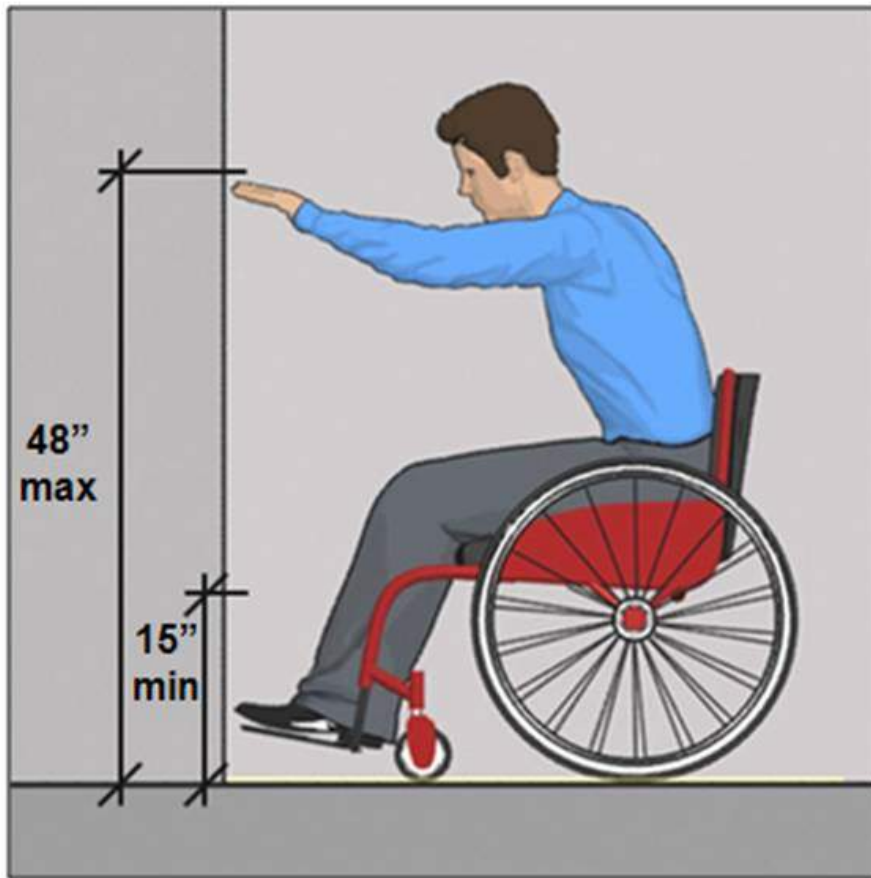
Knee & Toe Clearance



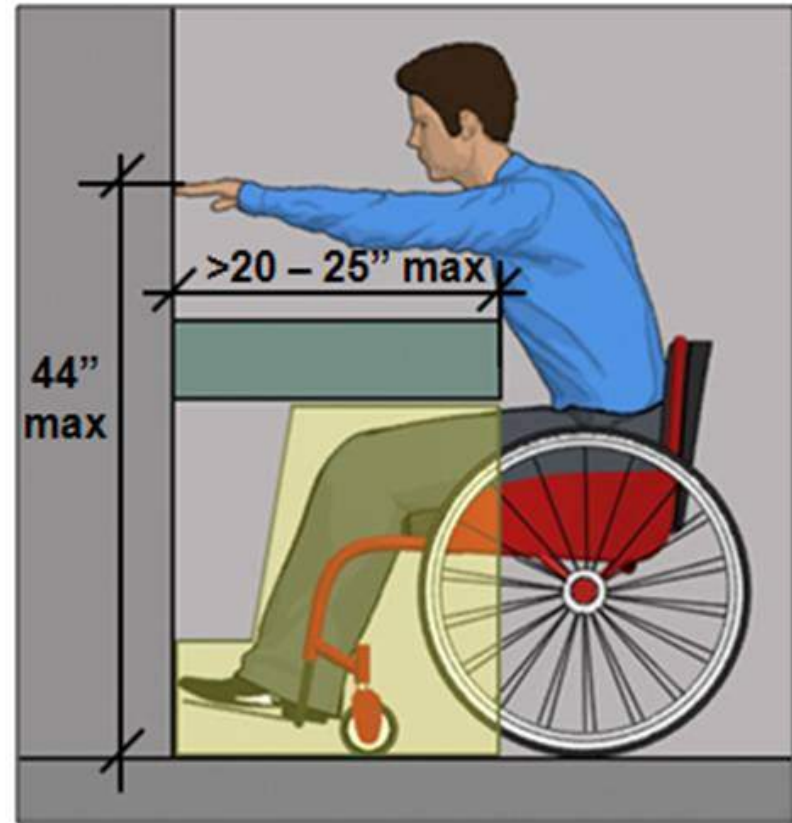
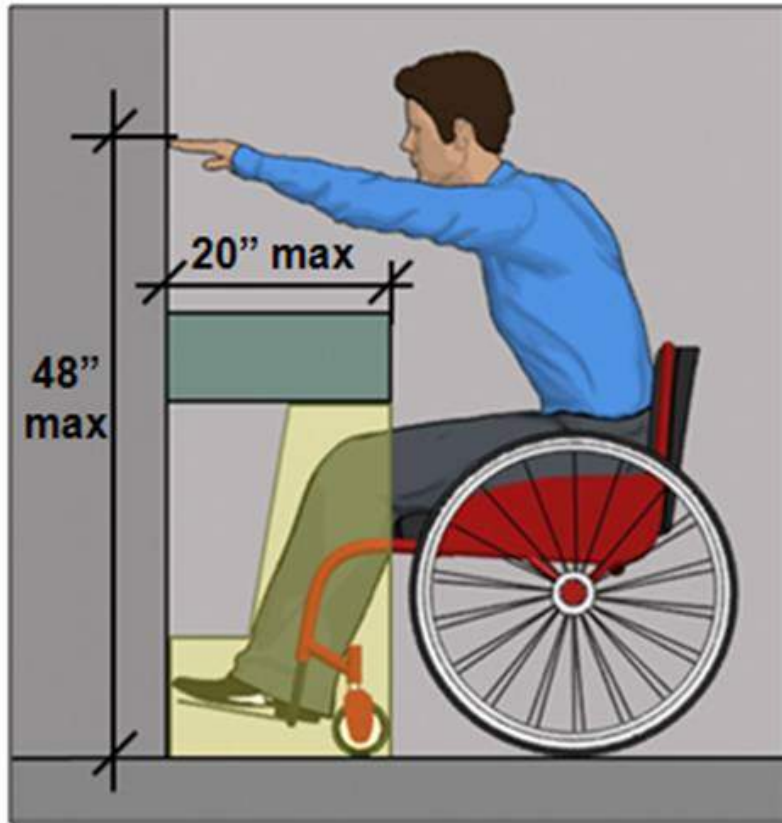
Knee & Toe Clearance



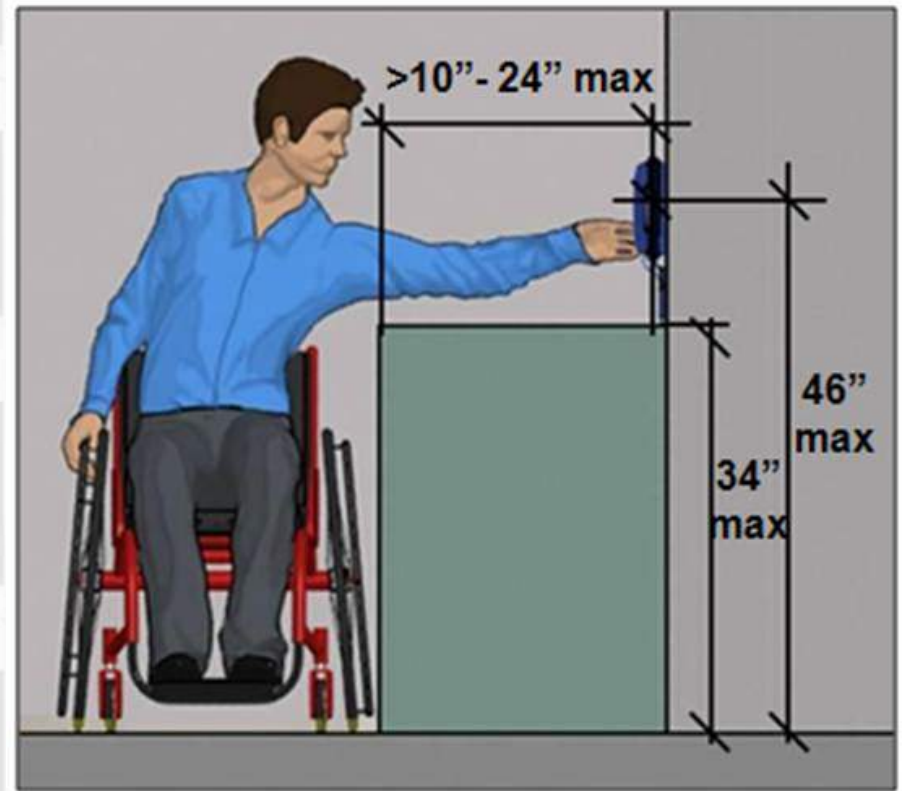
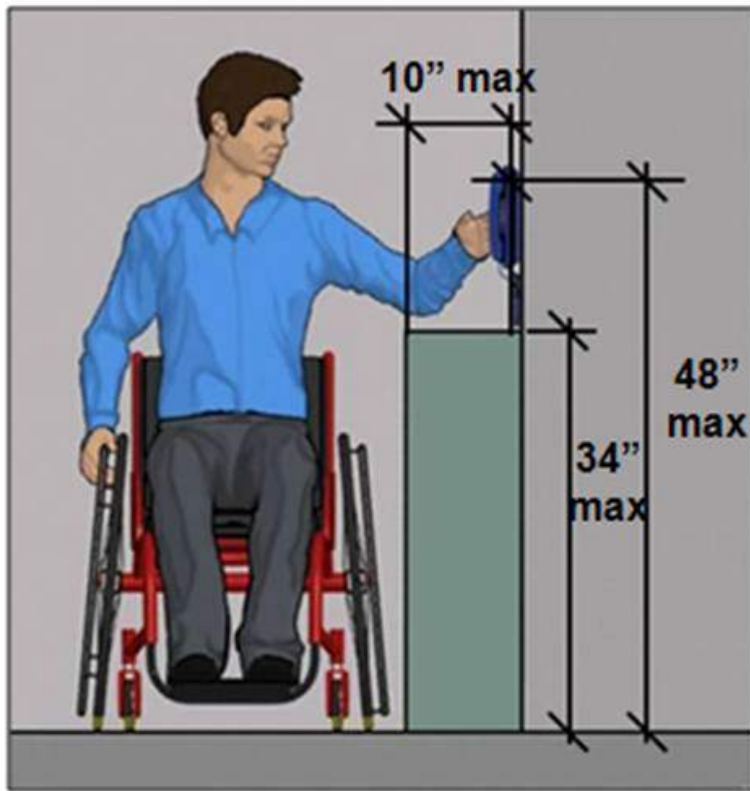
Reach Range



Reach Range – Obstructed High Reach



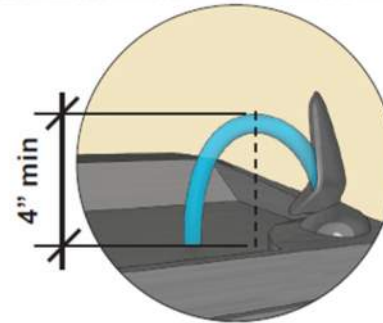
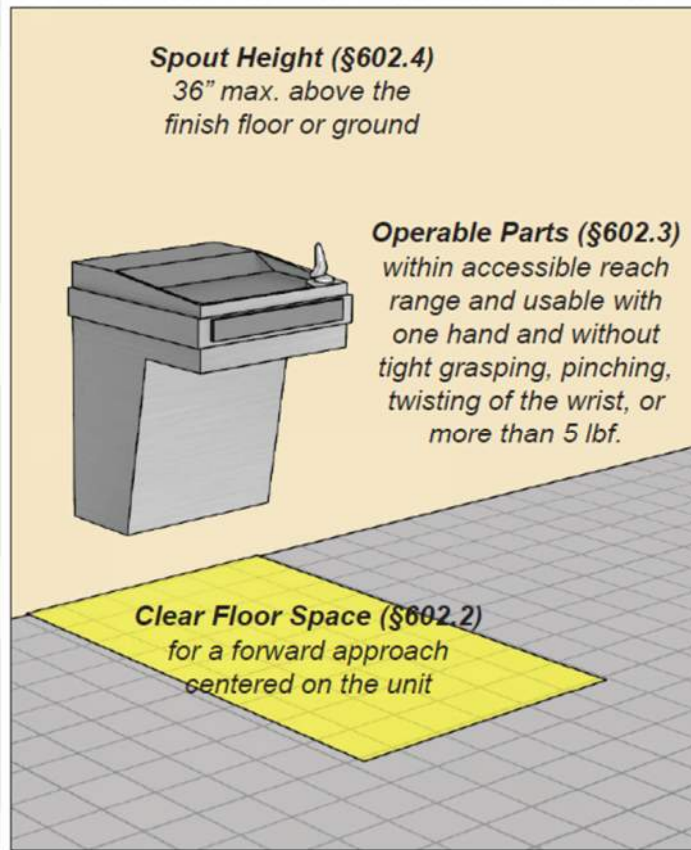
Reach Range – Obstructed High Reach



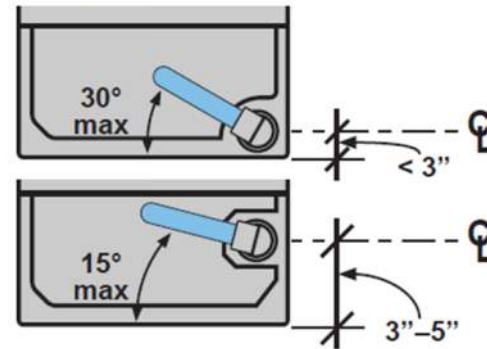


Plumbing Elements & Facilities

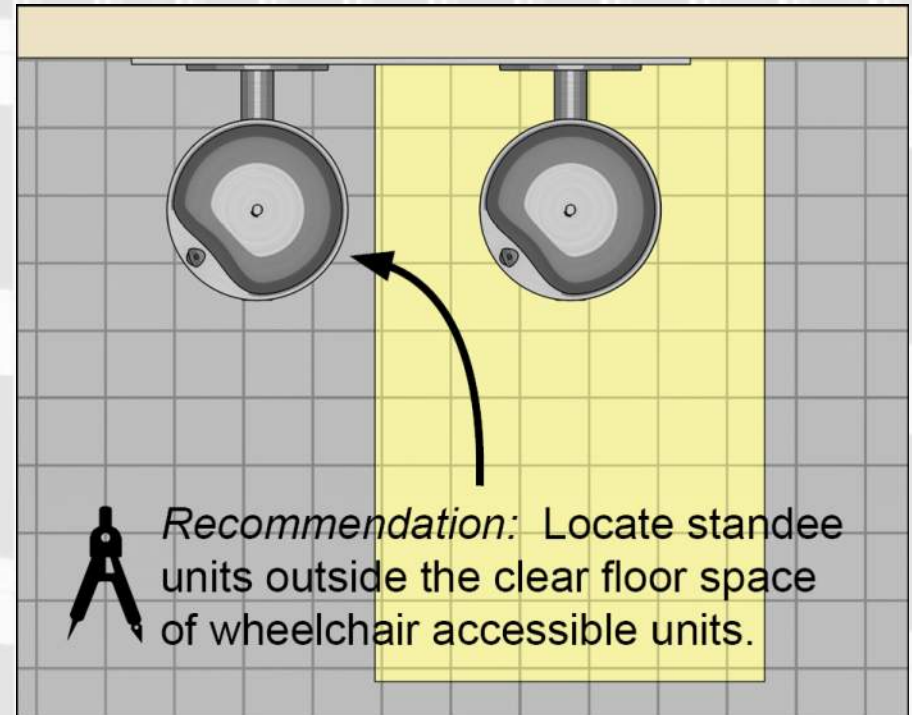
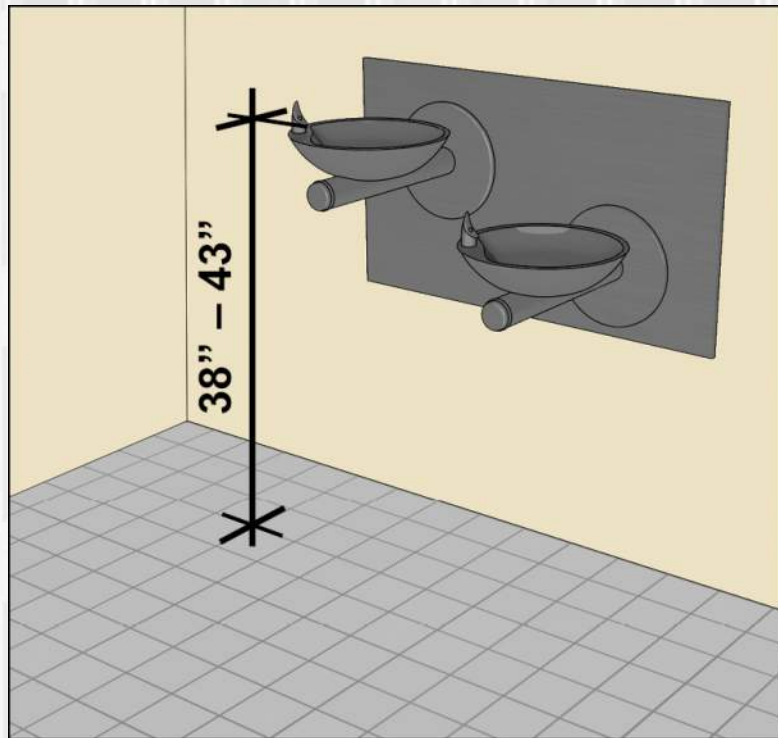
Drinking Fountains – Wheelchair Accessible



Water Flow (§602.6)
The water flow must be 4" high min.
The maximum angle of the water stream is based on the distance of the spout from the front of the unit.



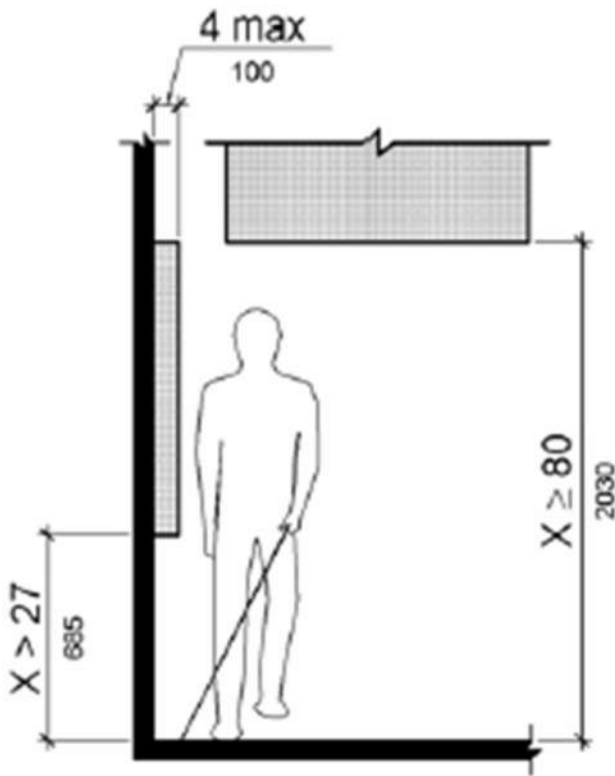
Drinking Fountains – Standing Persons



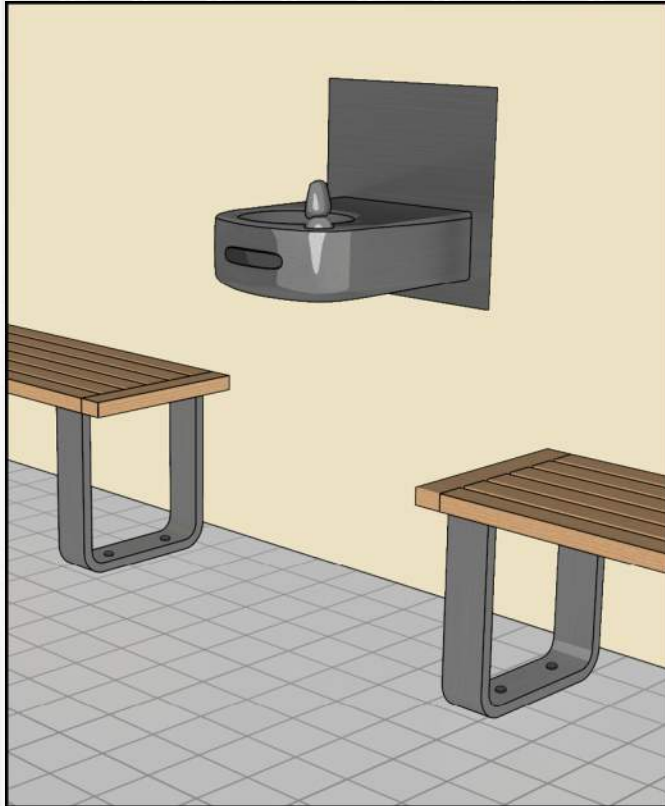
Drinking Fountains – Bottle Fillers



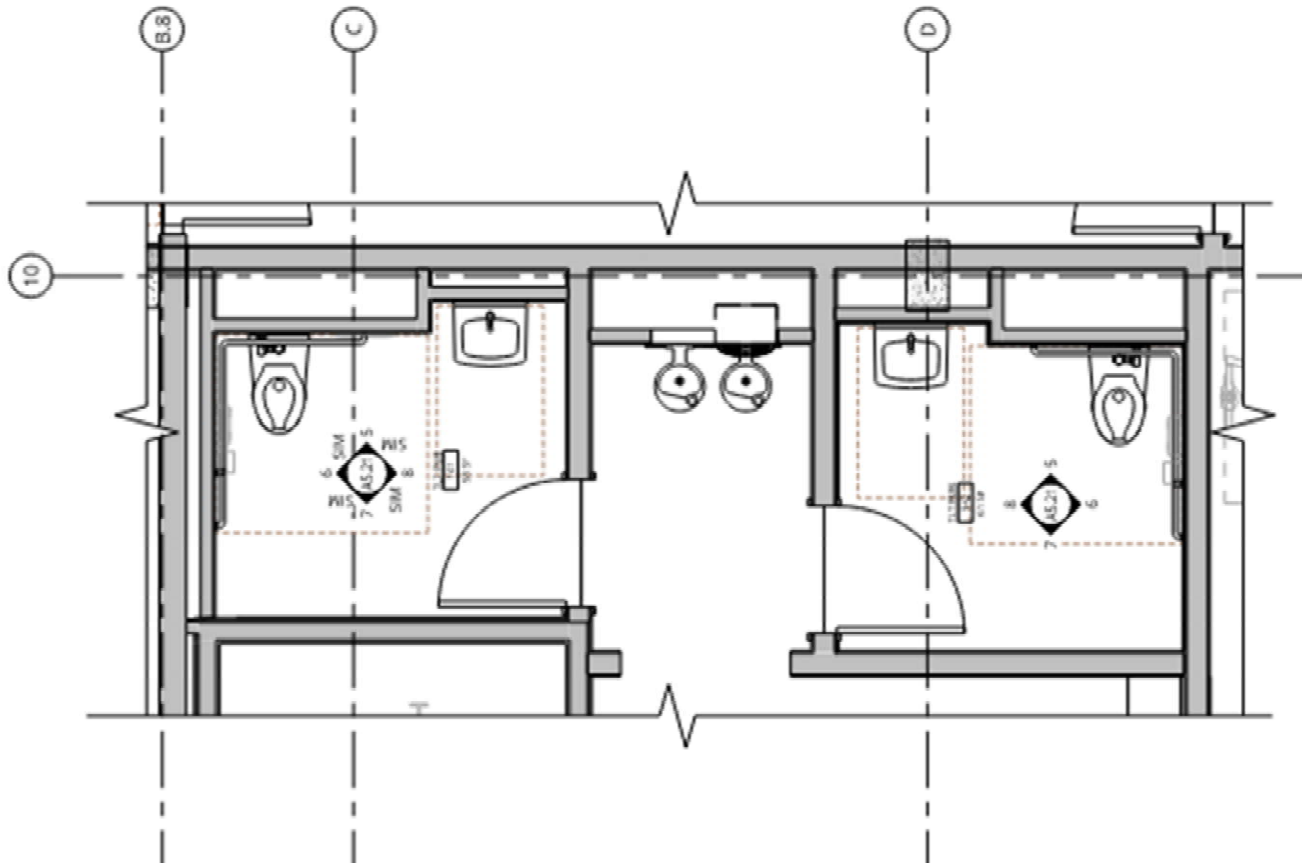
Drinking Fountains – Protruding Objects



Drinking Fountains – Protruding Objects



Drinking Fountains – Protruding Objects



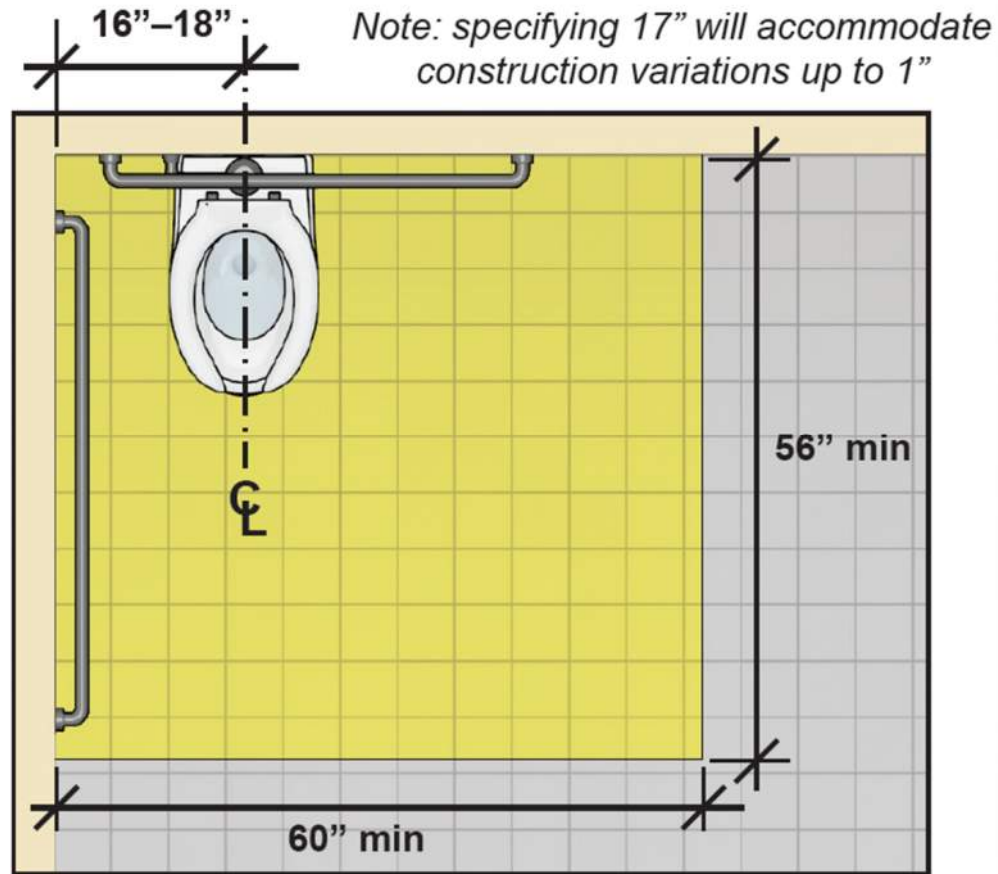
Toilet & Bathing Rooms - Cluster



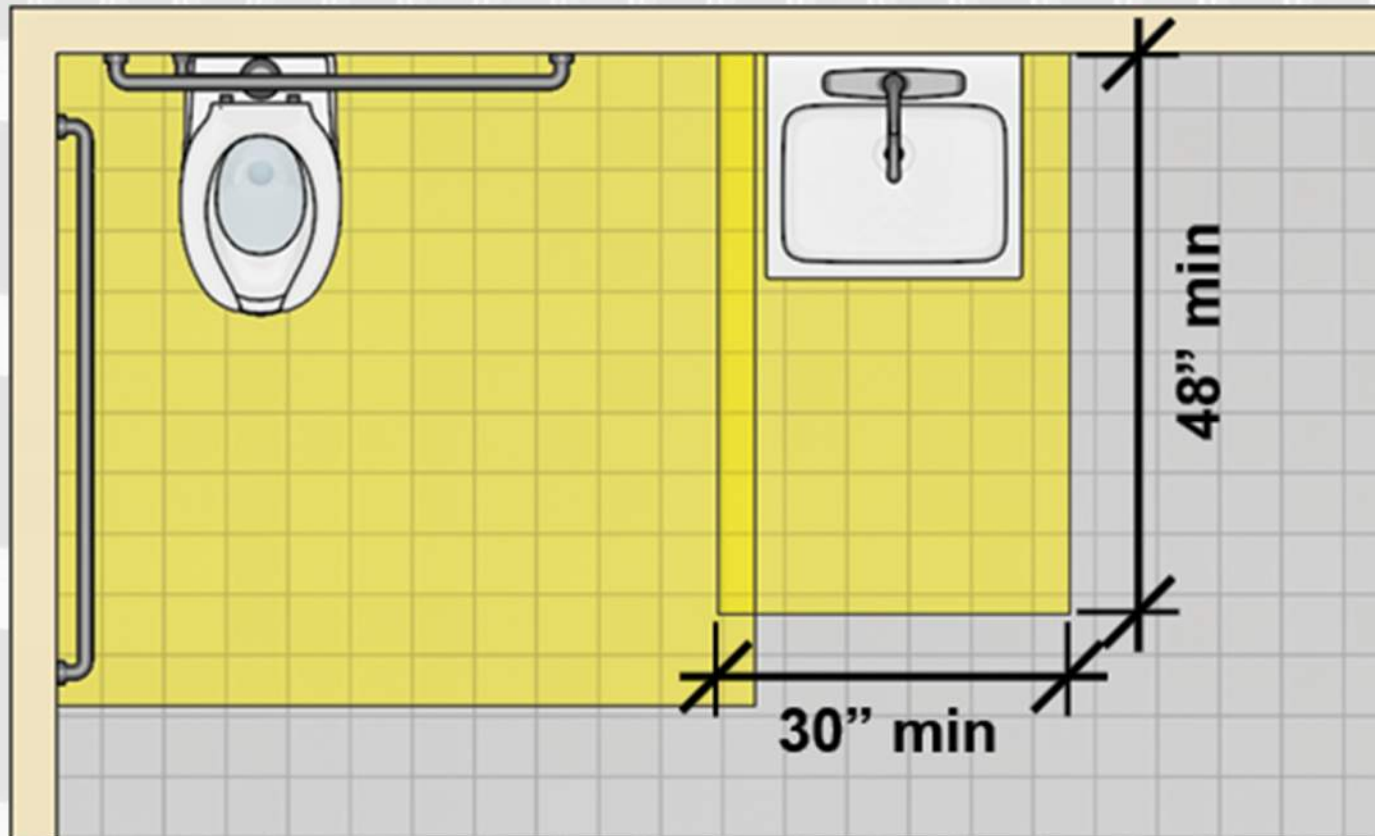
Toilet & Bathing Rooms - Cluster



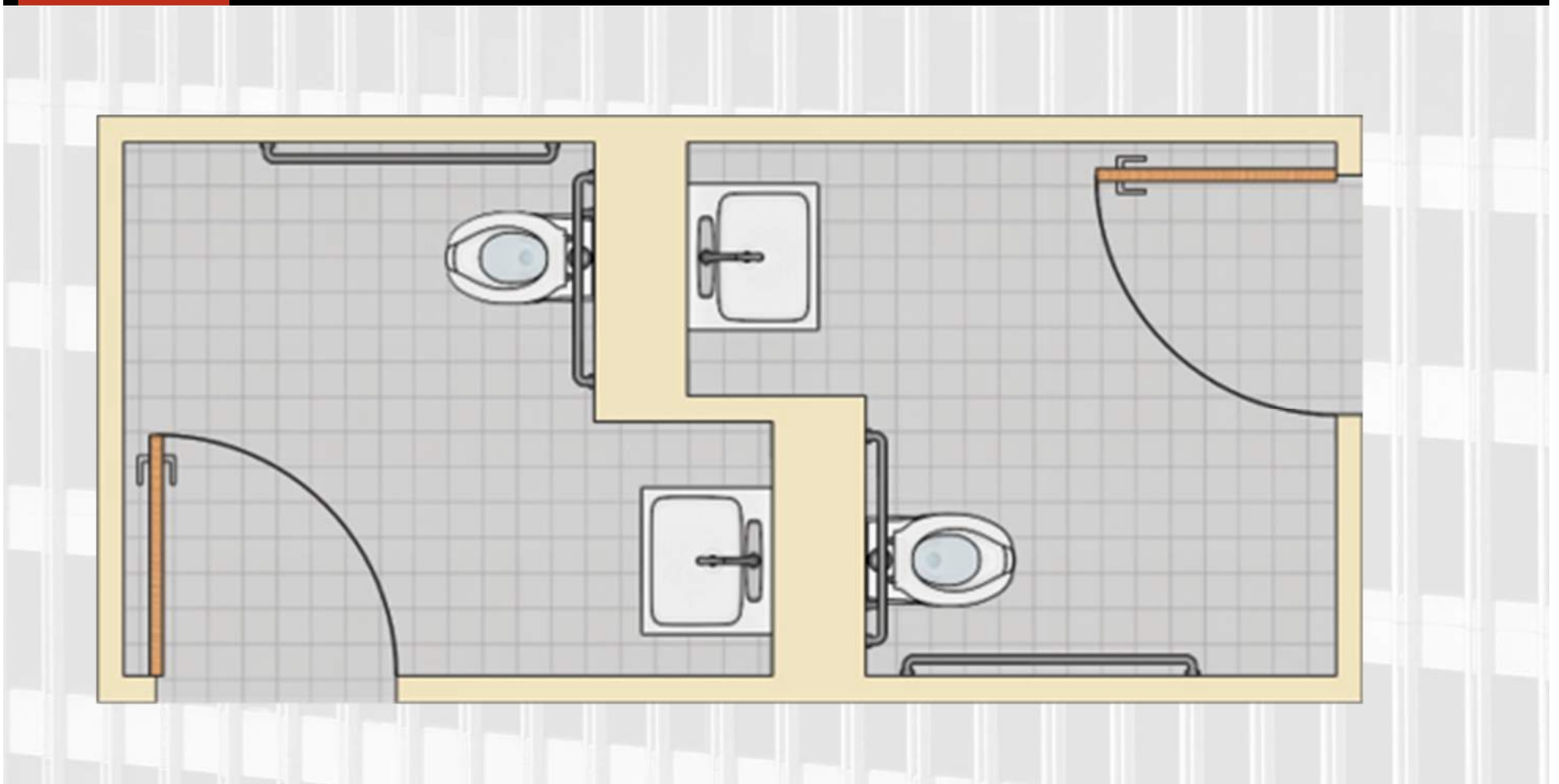
Water Closets & Toilet Compartments



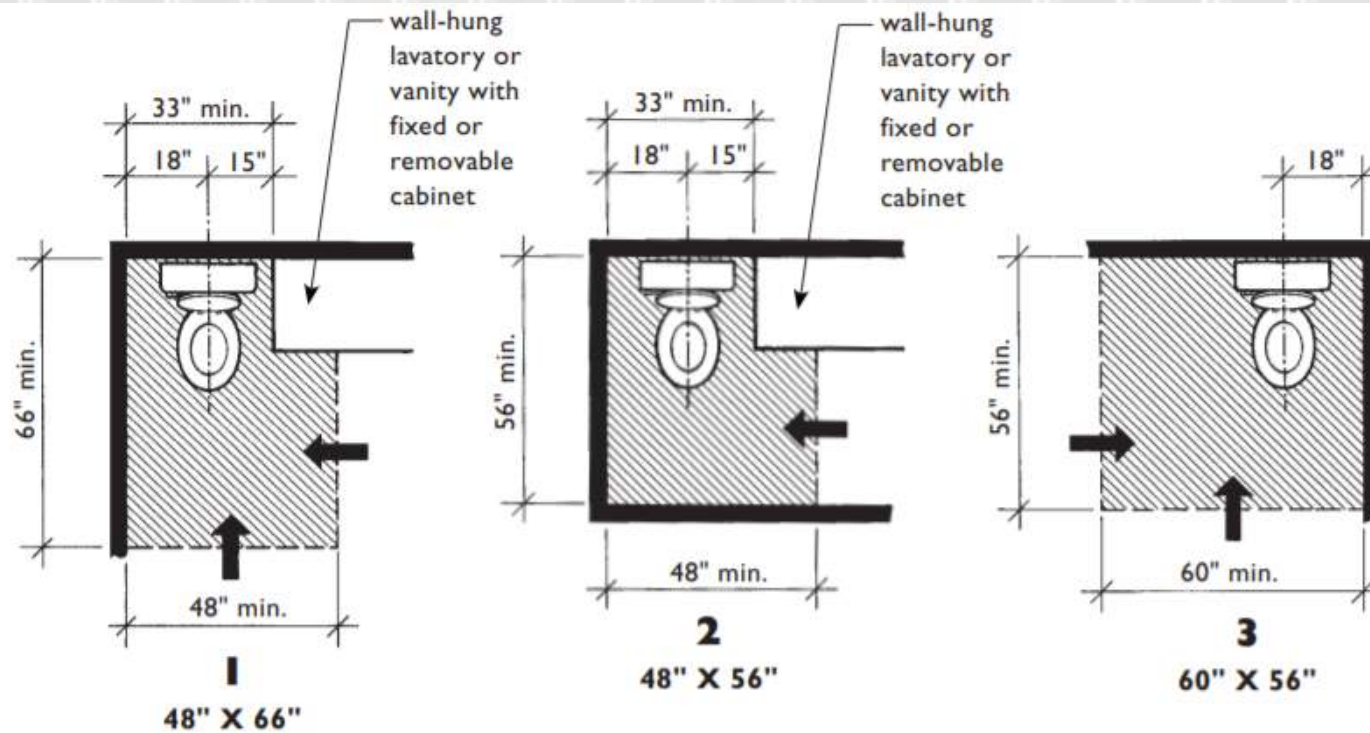
Water Closets & Toilet Compartments



Water Closets & Toilet Compartments

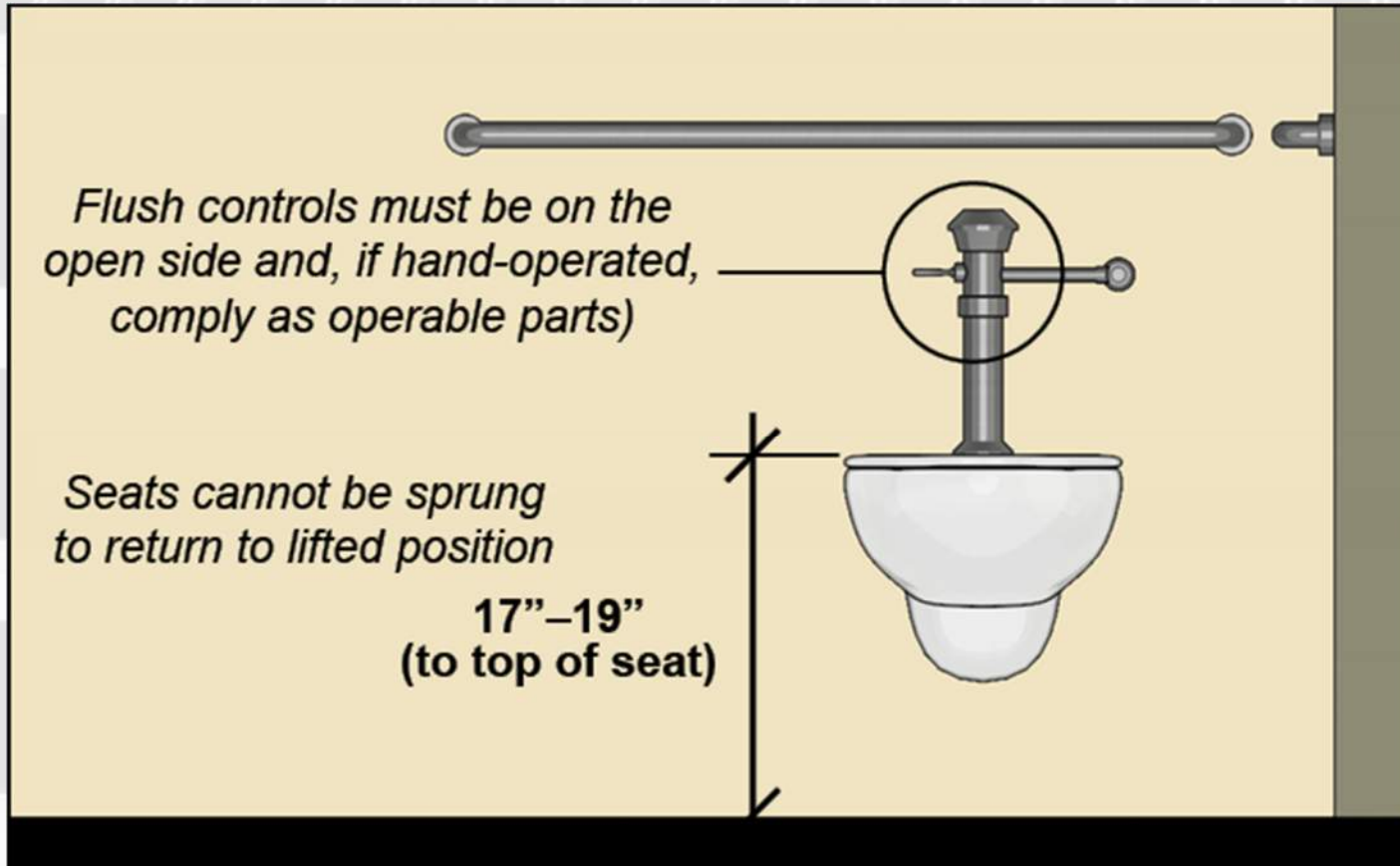


Water Closets Clearance - FHA



Clear Floor Space at Toilets
(One of the Three Must be Provided in "A" and "B" Bathrooms)

Water Closets & Toilet Compartments



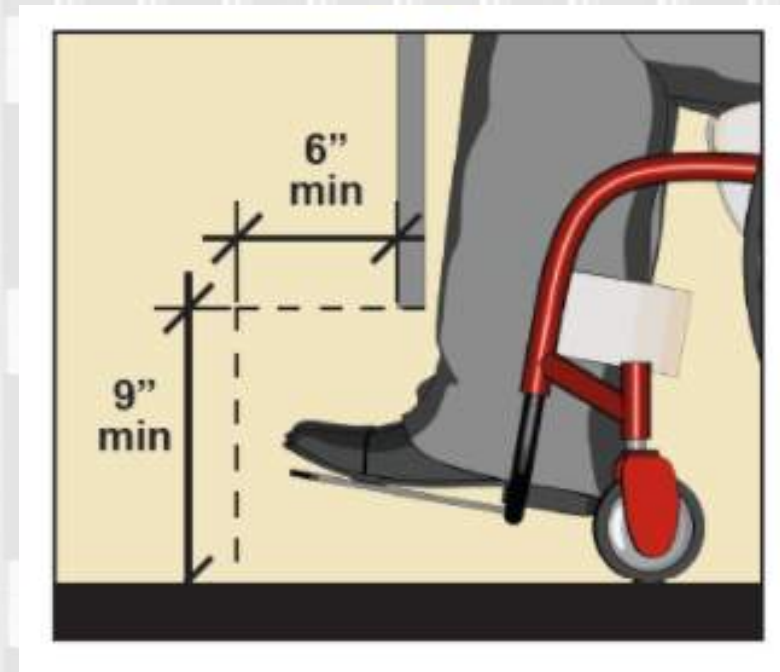
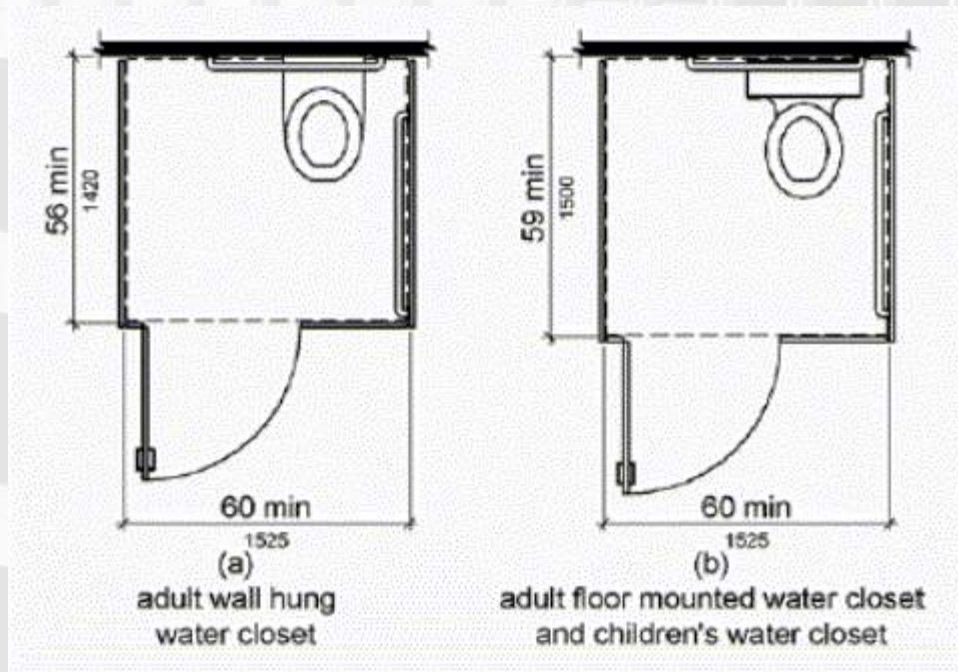
Water Closets & Toilet Compartments



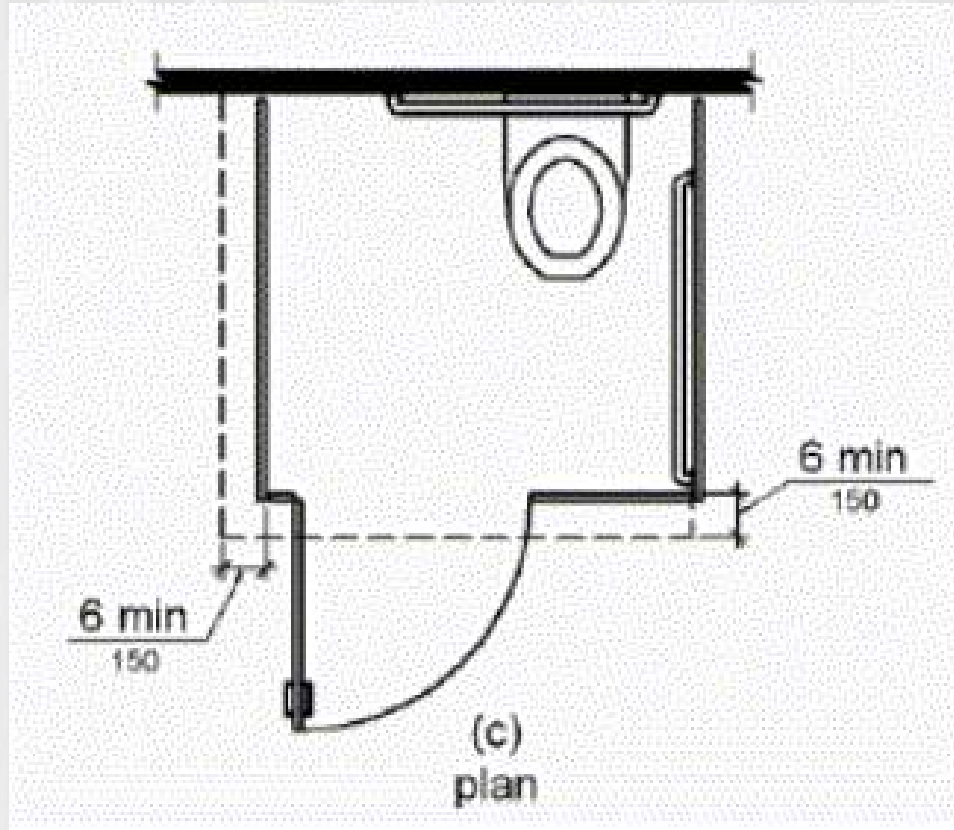
Water Closets & Toilet Compartments



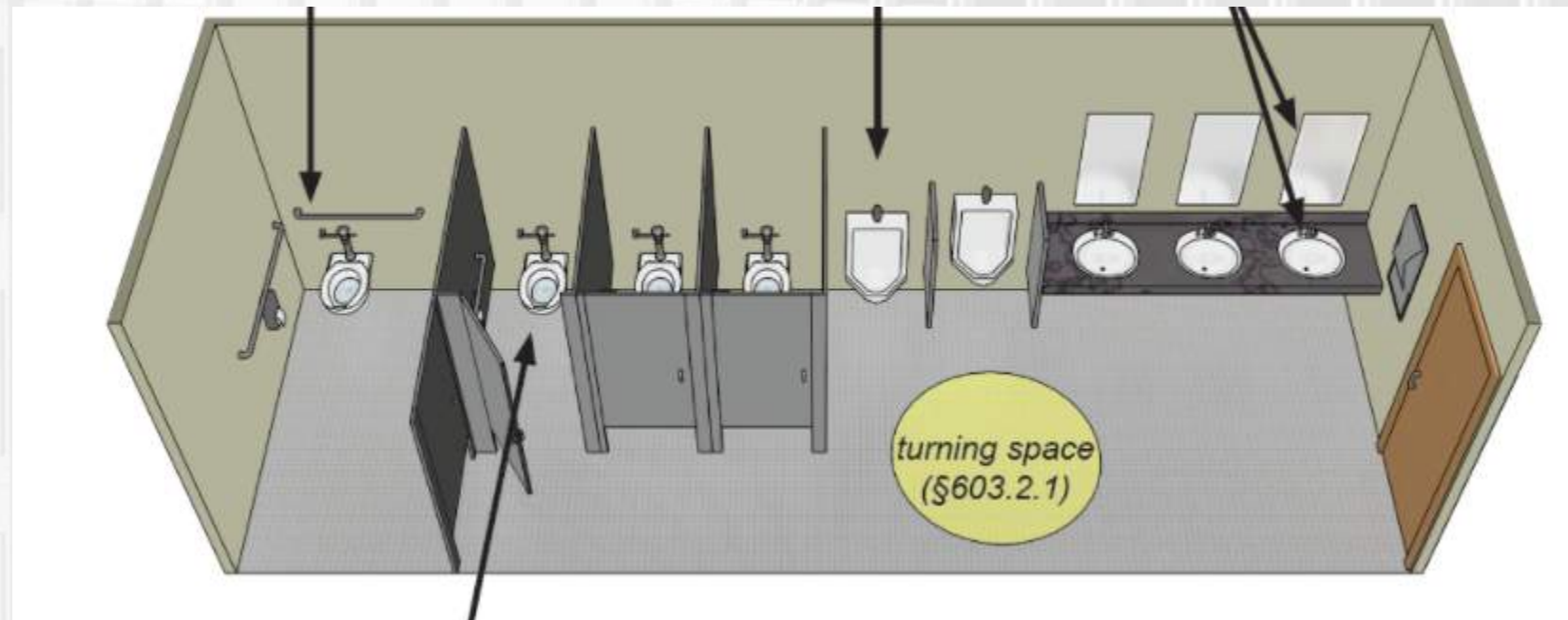
Water Closets & Toilet Compartments



Water Closets & Toilet Compartments



Water Closets & Toilet Compartments

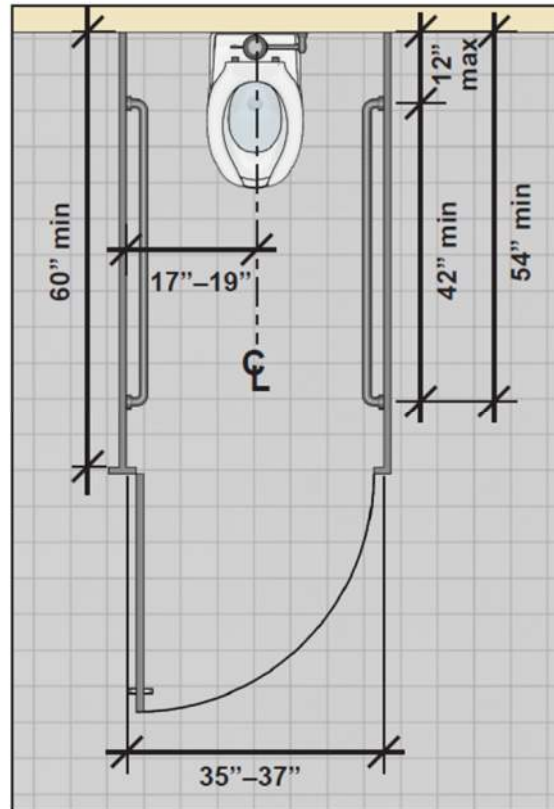


Water Closets & Toilet Compartments

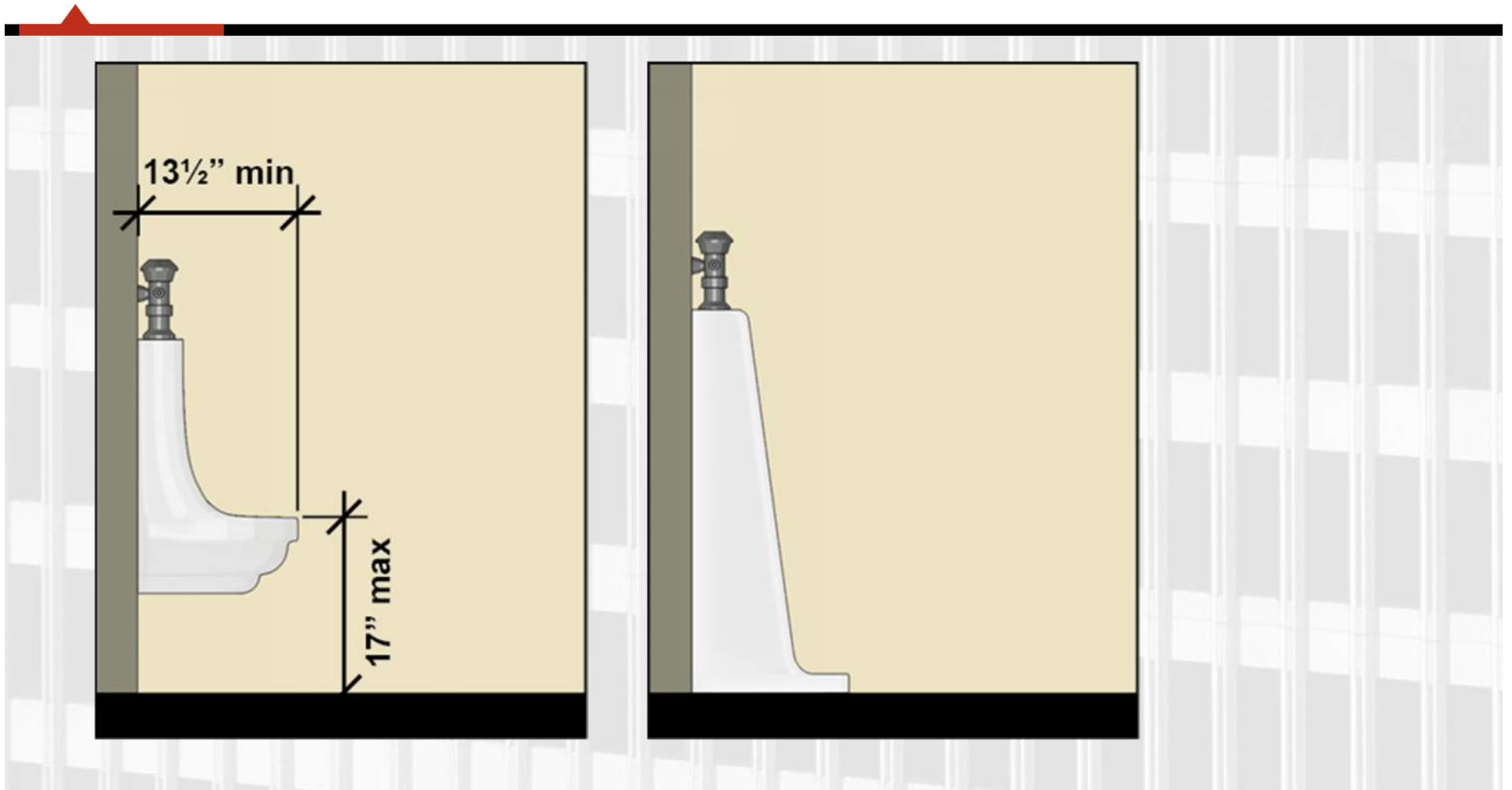
The compartment width is specified so that both grab bars are simultaneously within reach.



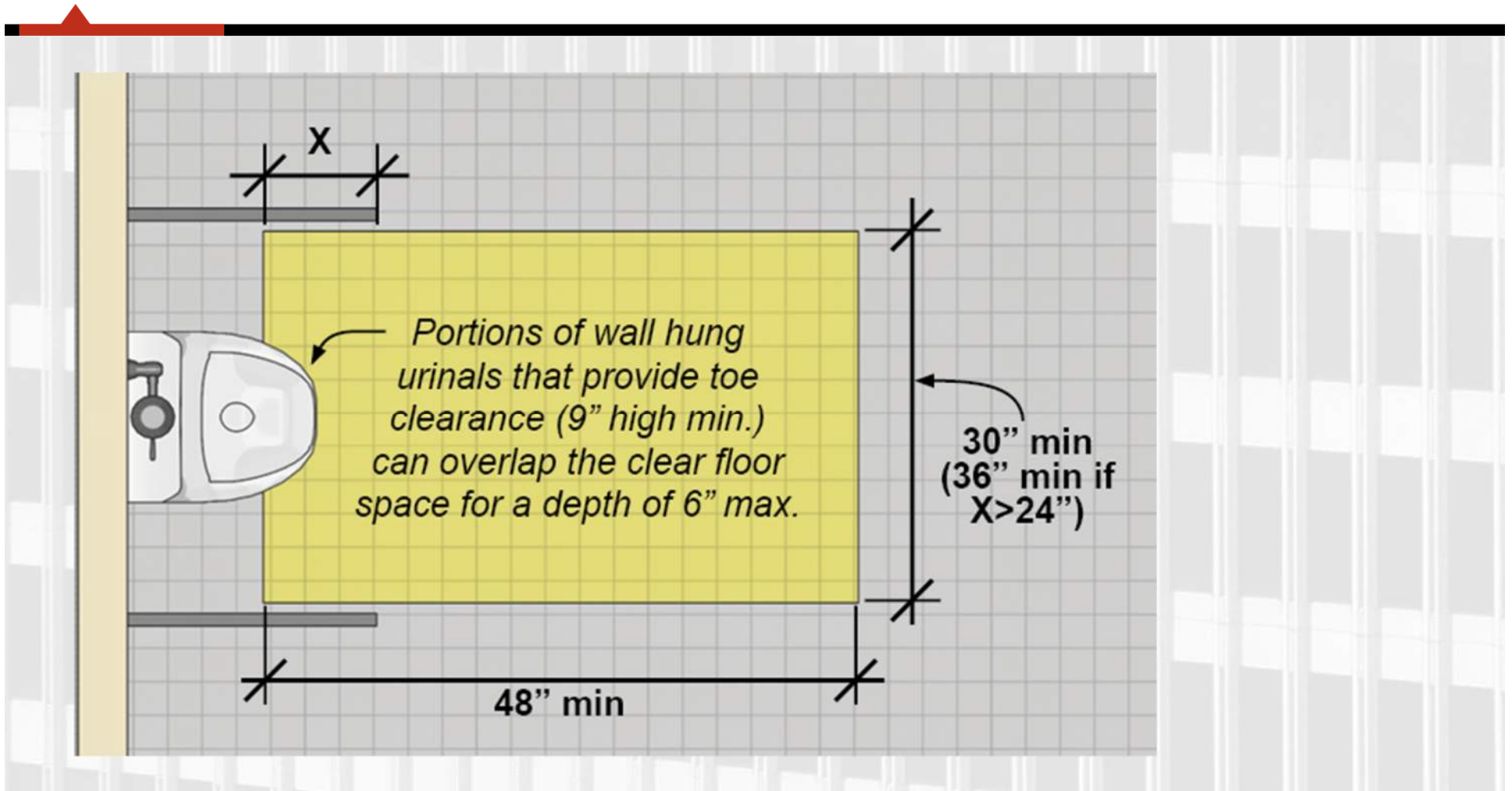
Like wheelchair accessible compartments, doors must fully comply and be self-closing, have a pull on both sides near the latch, and cannot swing into the required compartment area. All other applicable door criteria, including maneuvering clearances, must be met.



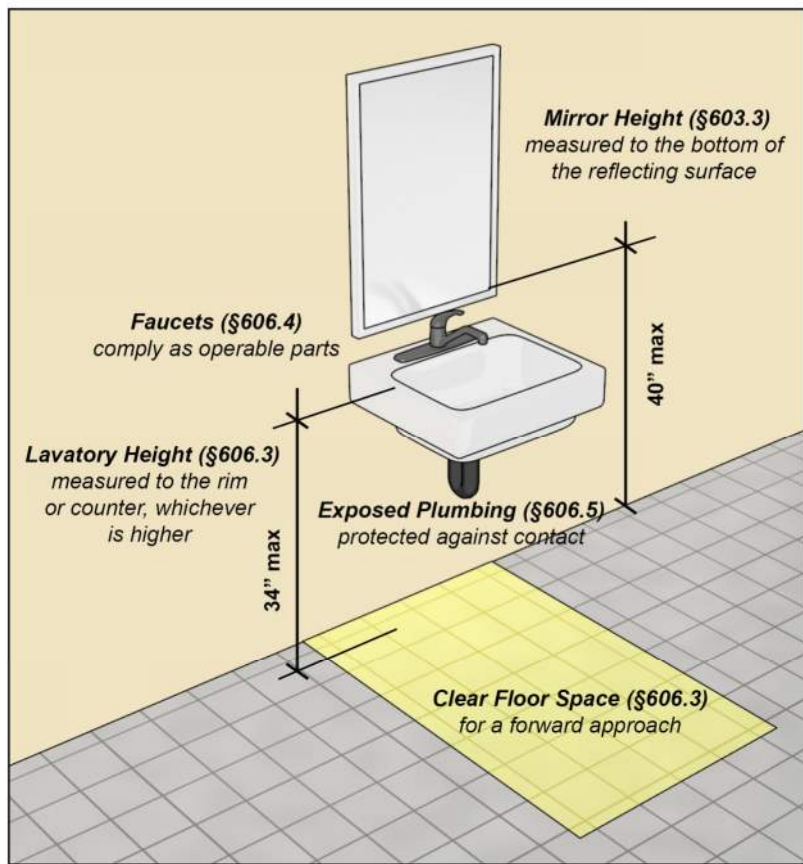
Urinals



Urinals



Lavatories & Sinks



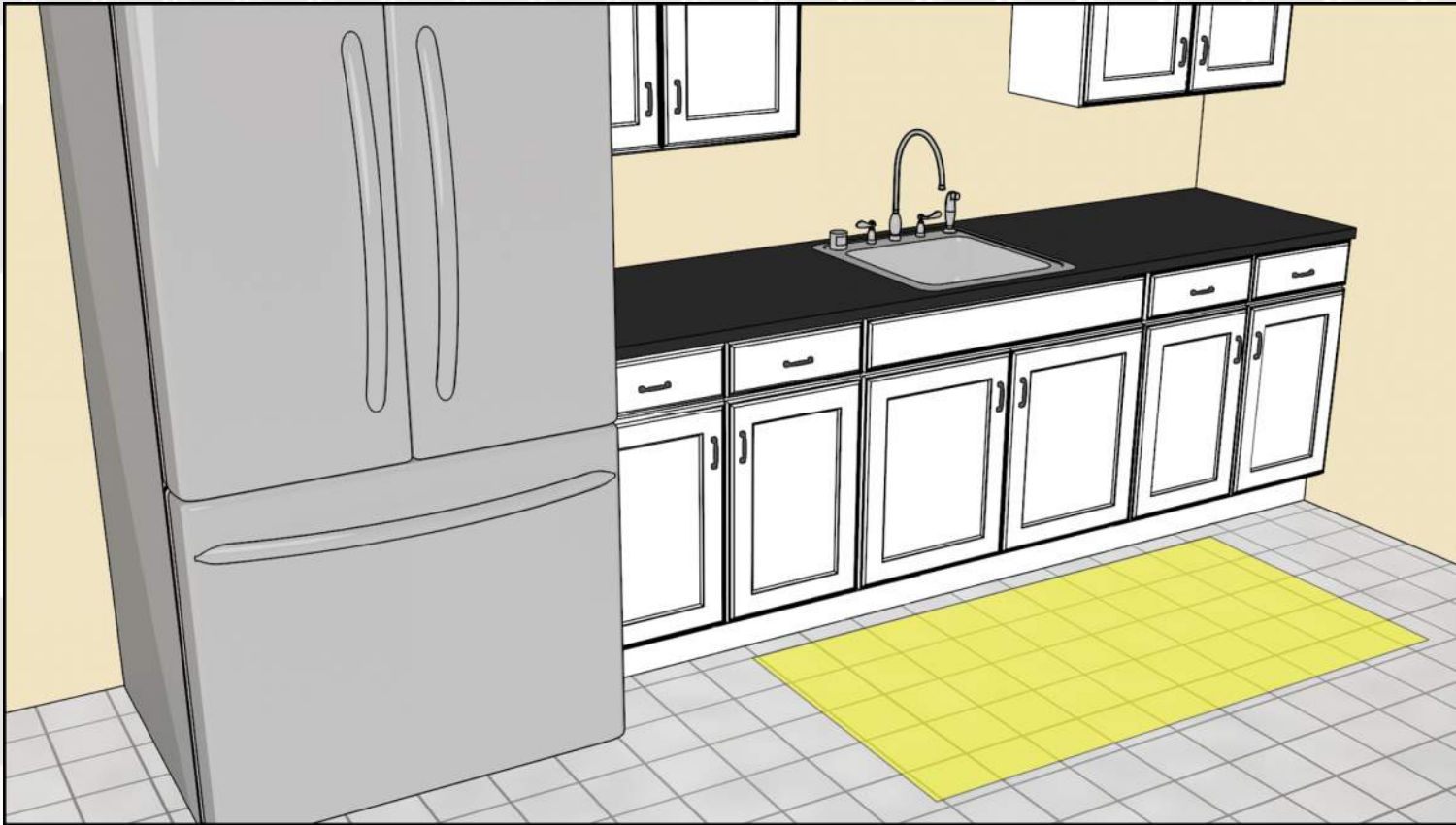
Lavatories & Sinks



Lavatories & Sinks



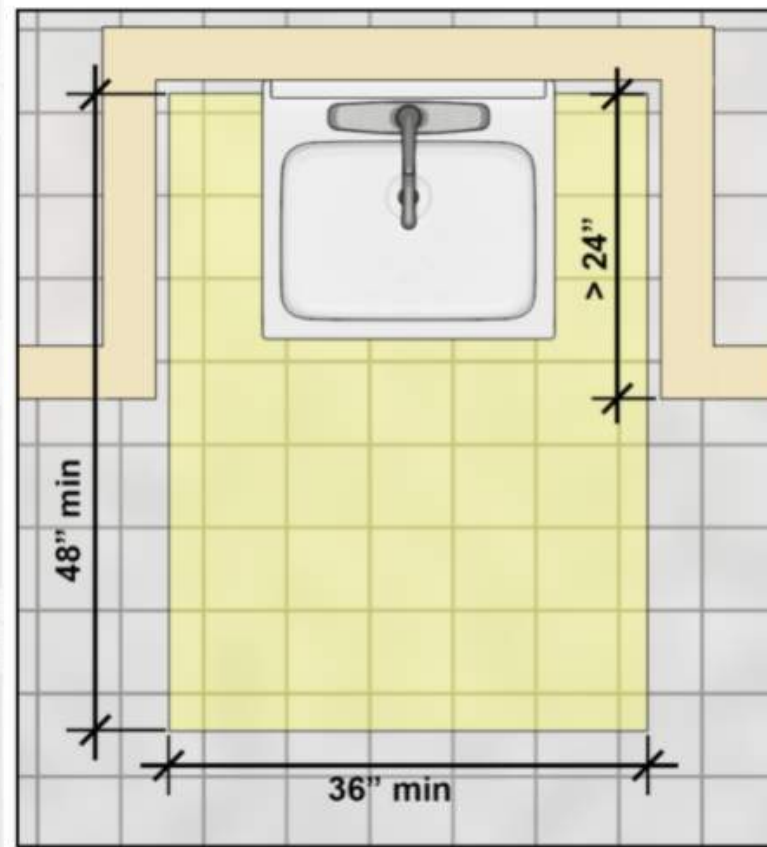
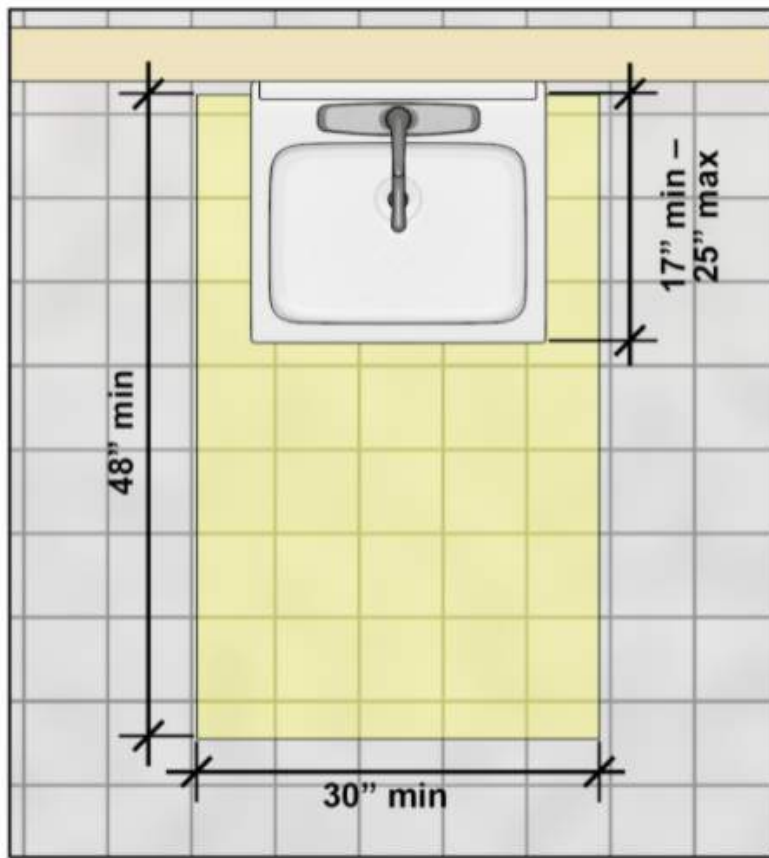
Lavatories & Sinks



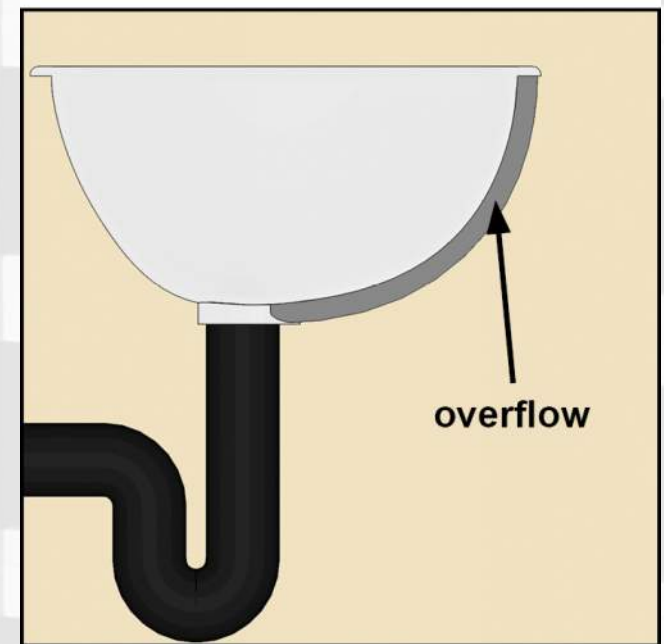
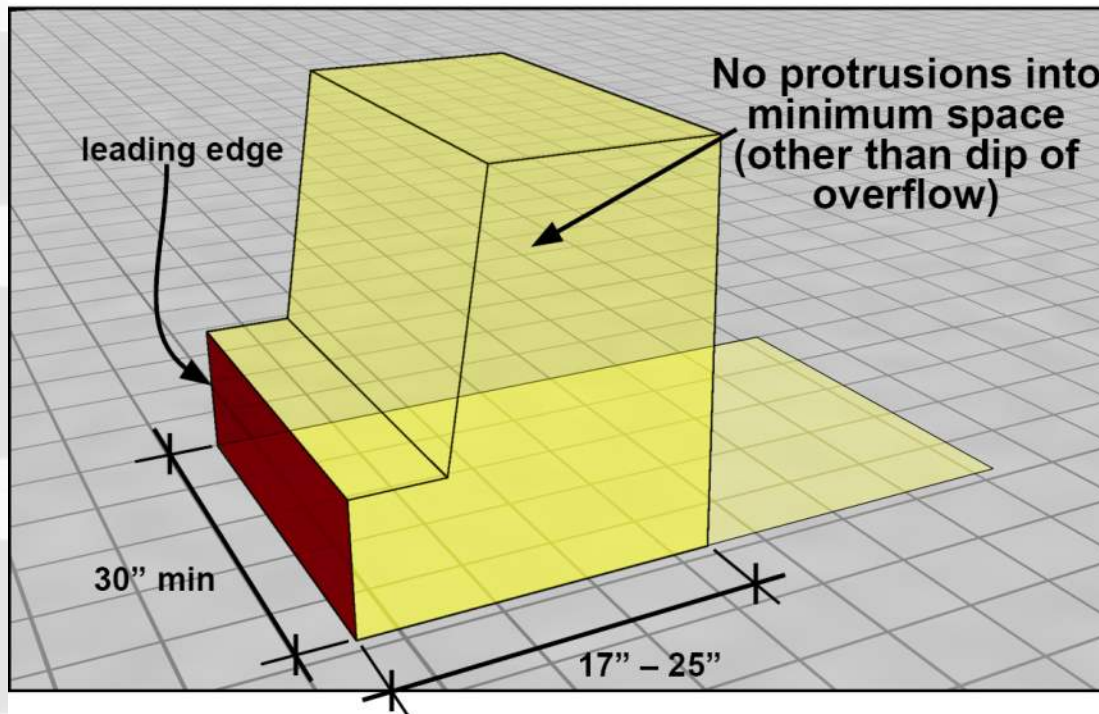
Lavatories & Sinks



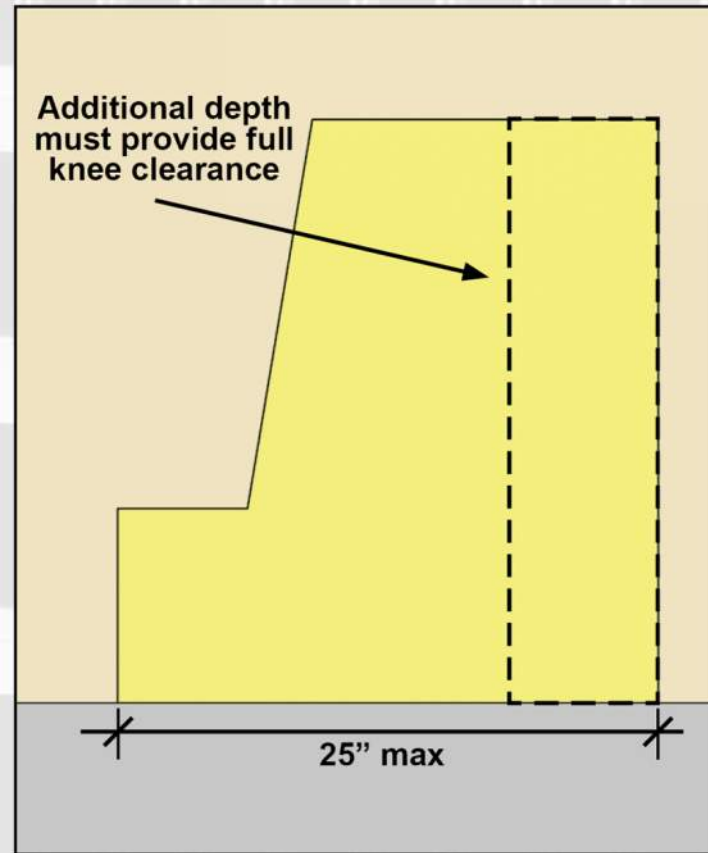
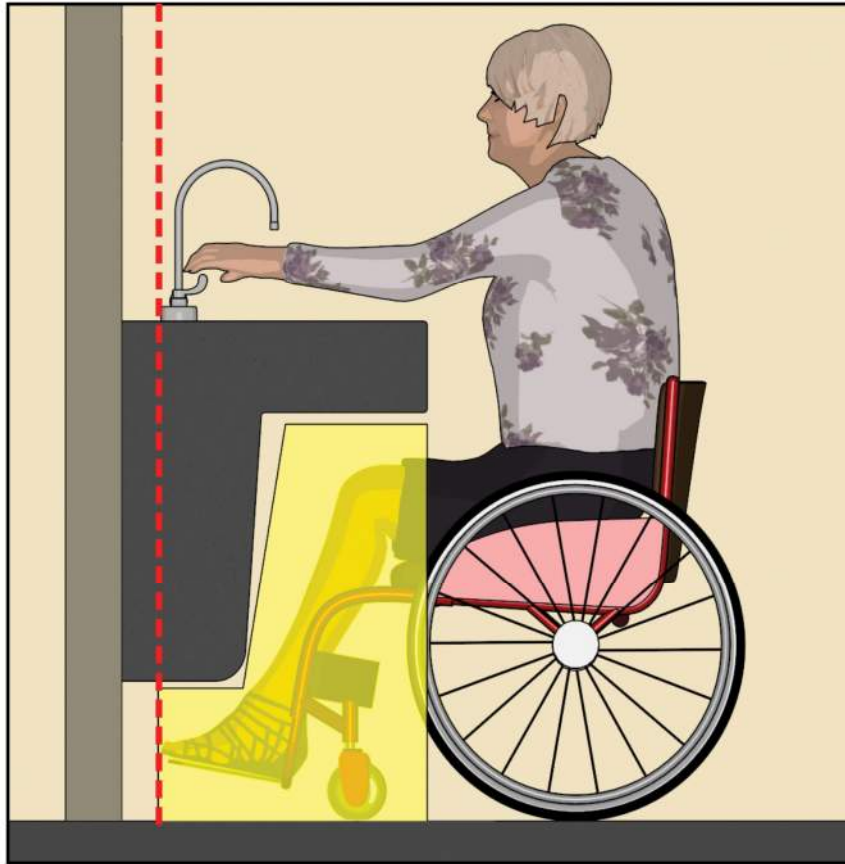
Lavatories & Sinks



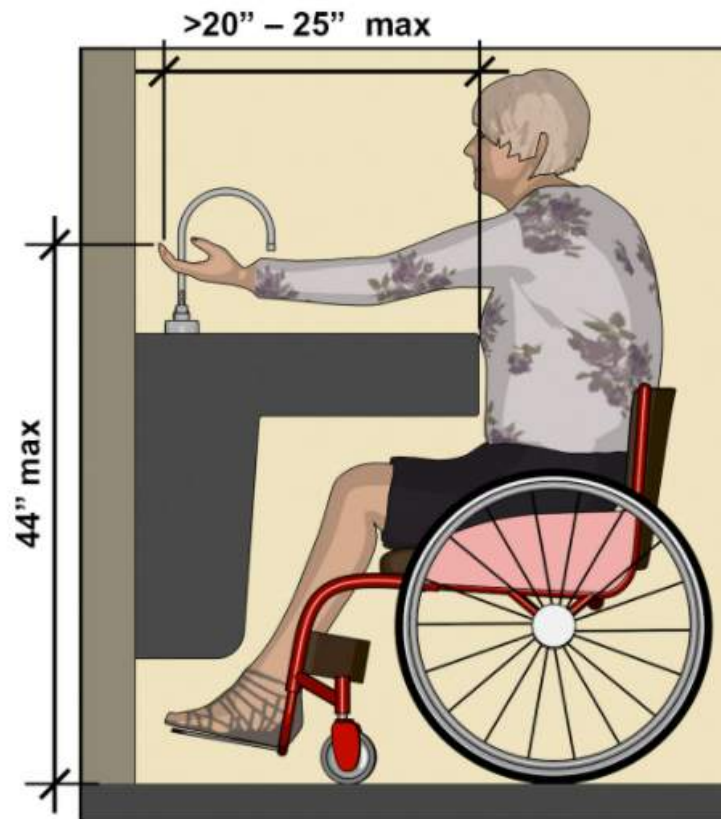
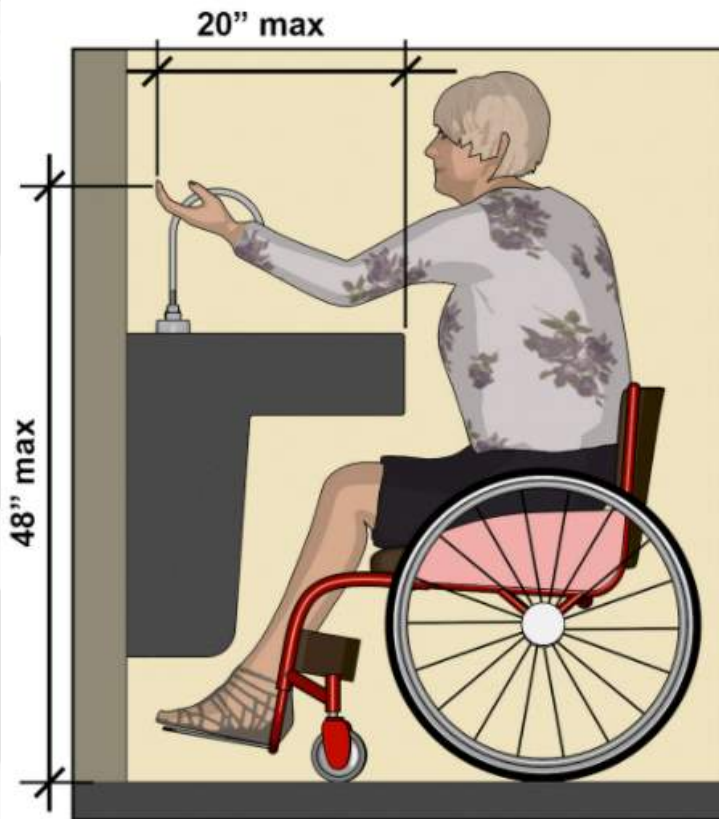
Lavatories & Sinks



Lavatories & Sinks



Lavatories & Sinks



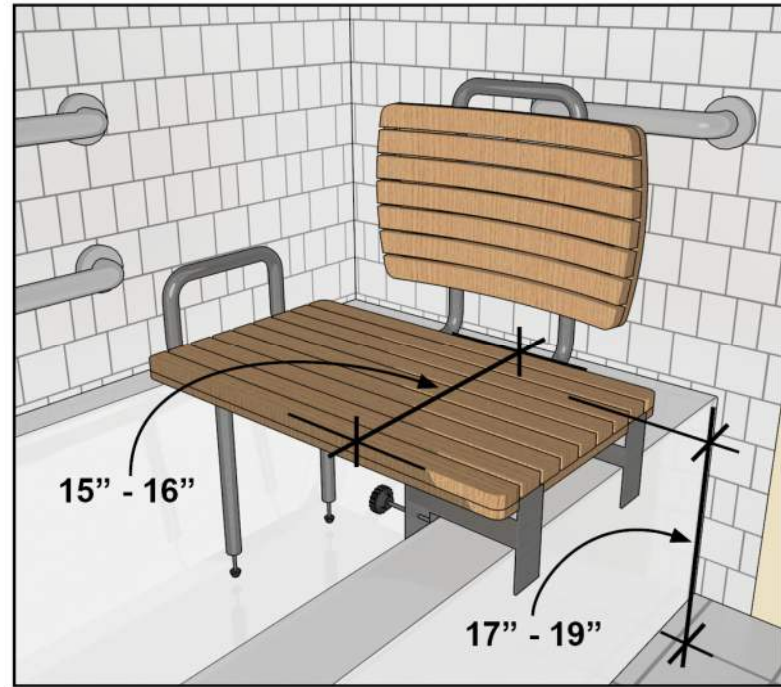
Lavatories & Sinks



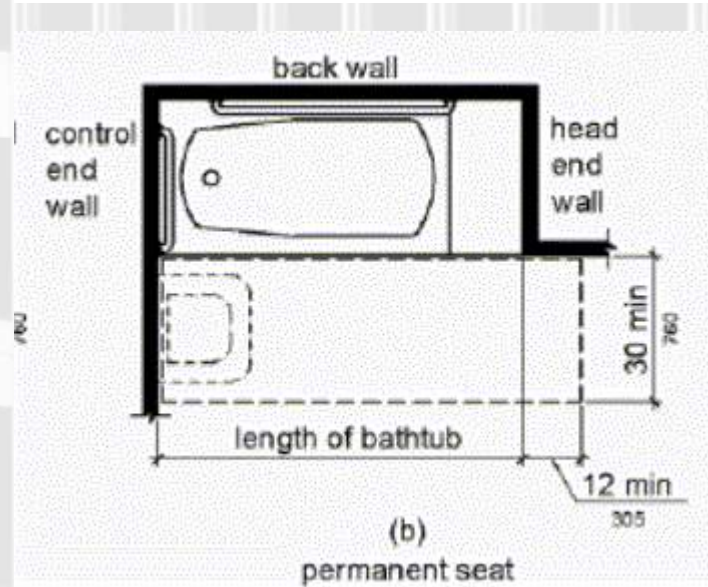
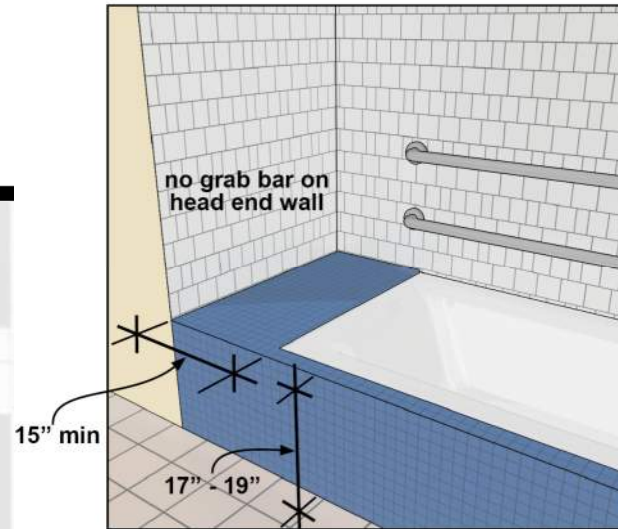
Lavatories & Sinks



Bathtubs



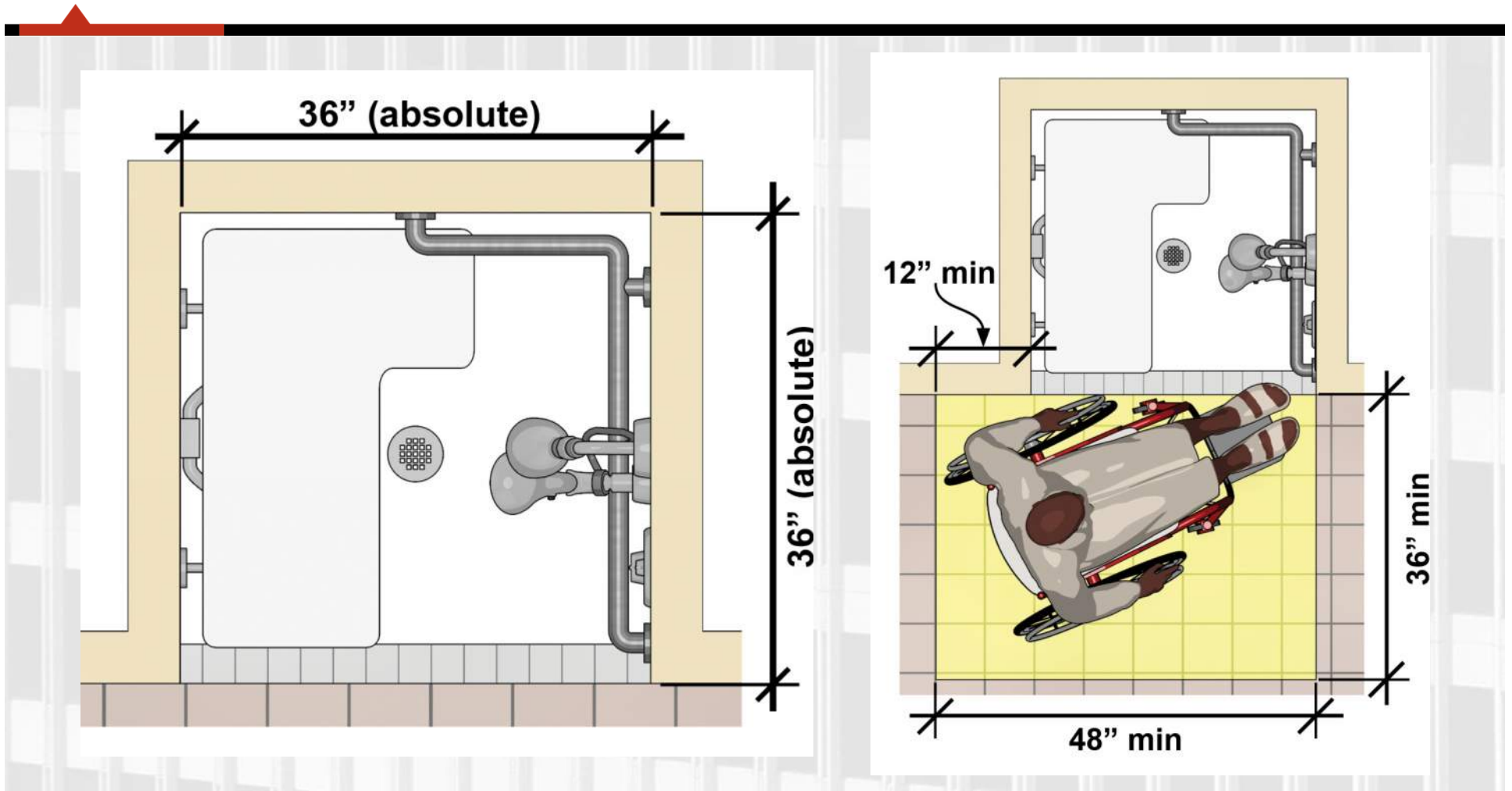
Bathtubs



Shower Compartments

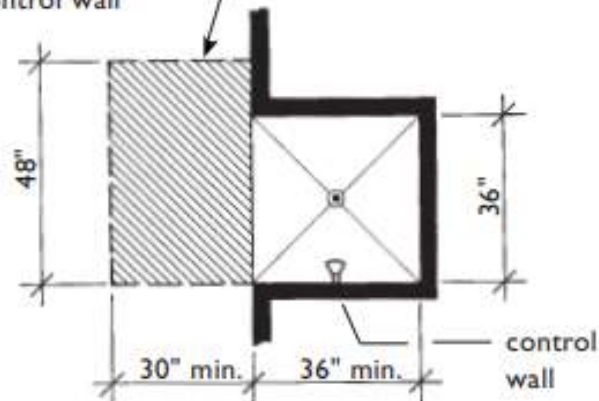


Shower Compartments



Shower Compartments - FHA

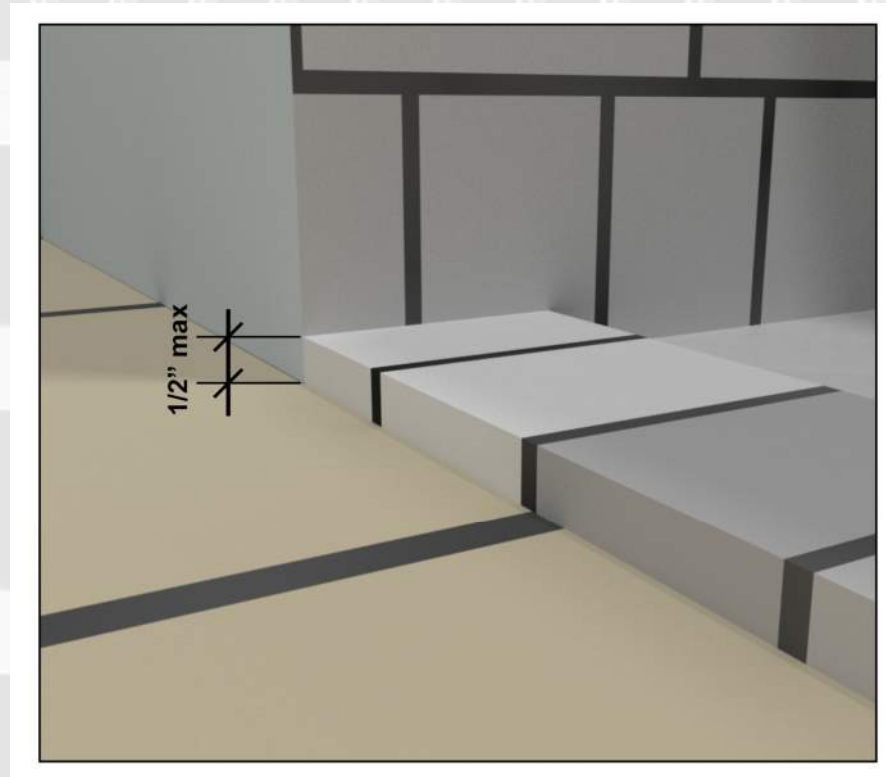
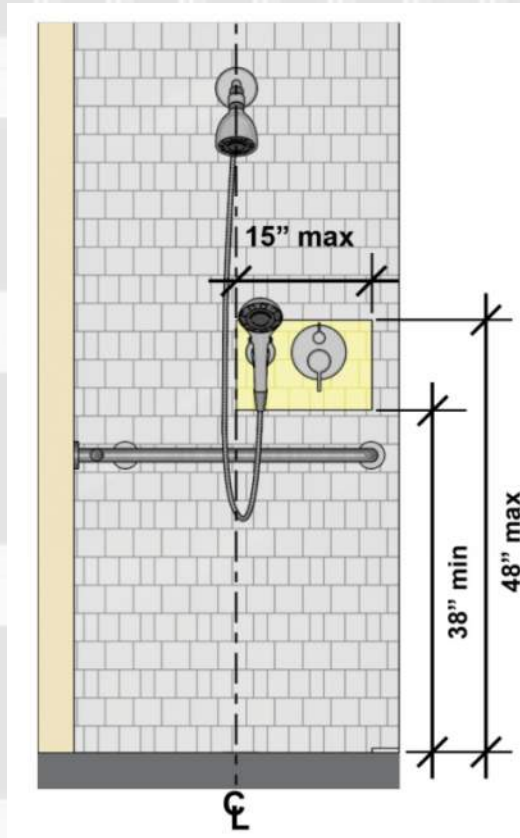
30" X 48" clear floor space flush and parallel with control wall



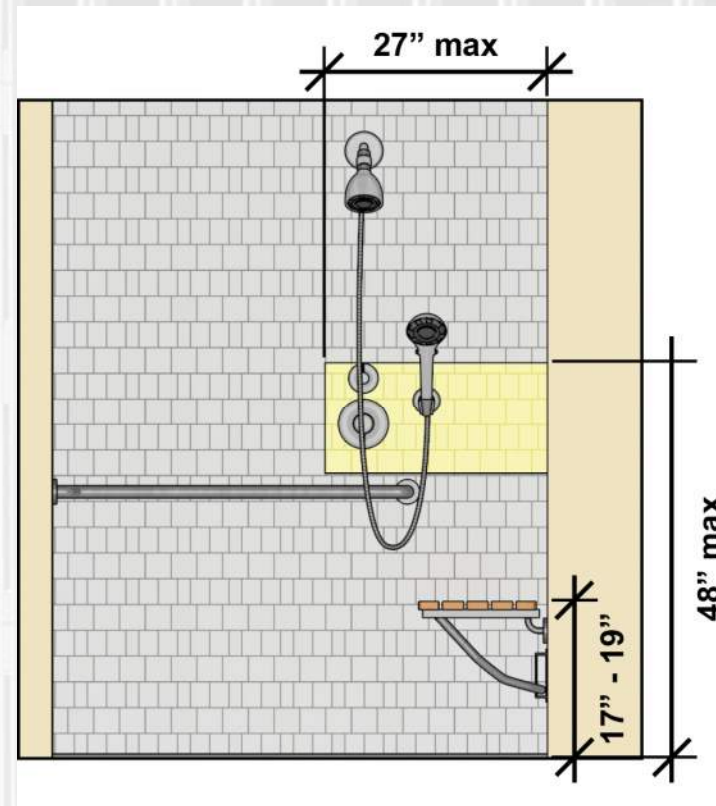
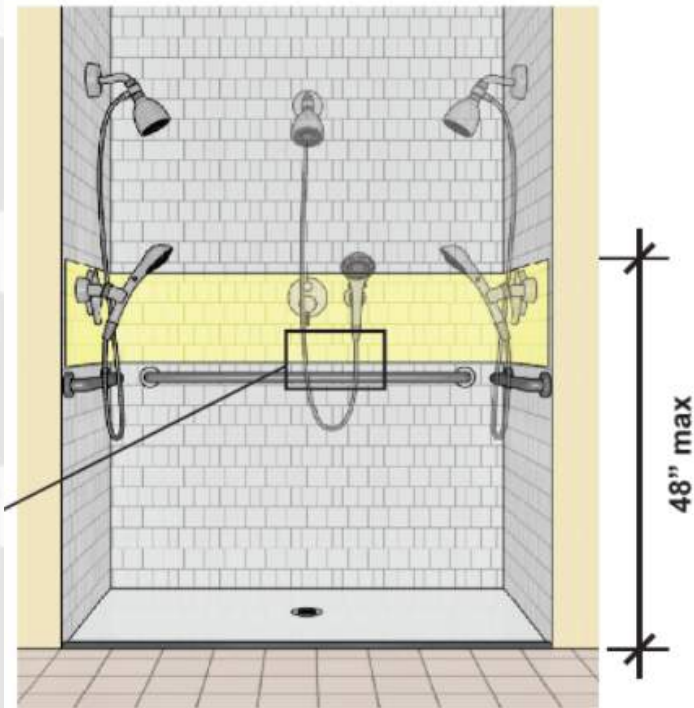
Guideline Requirements for Clear Floor Space at Showers



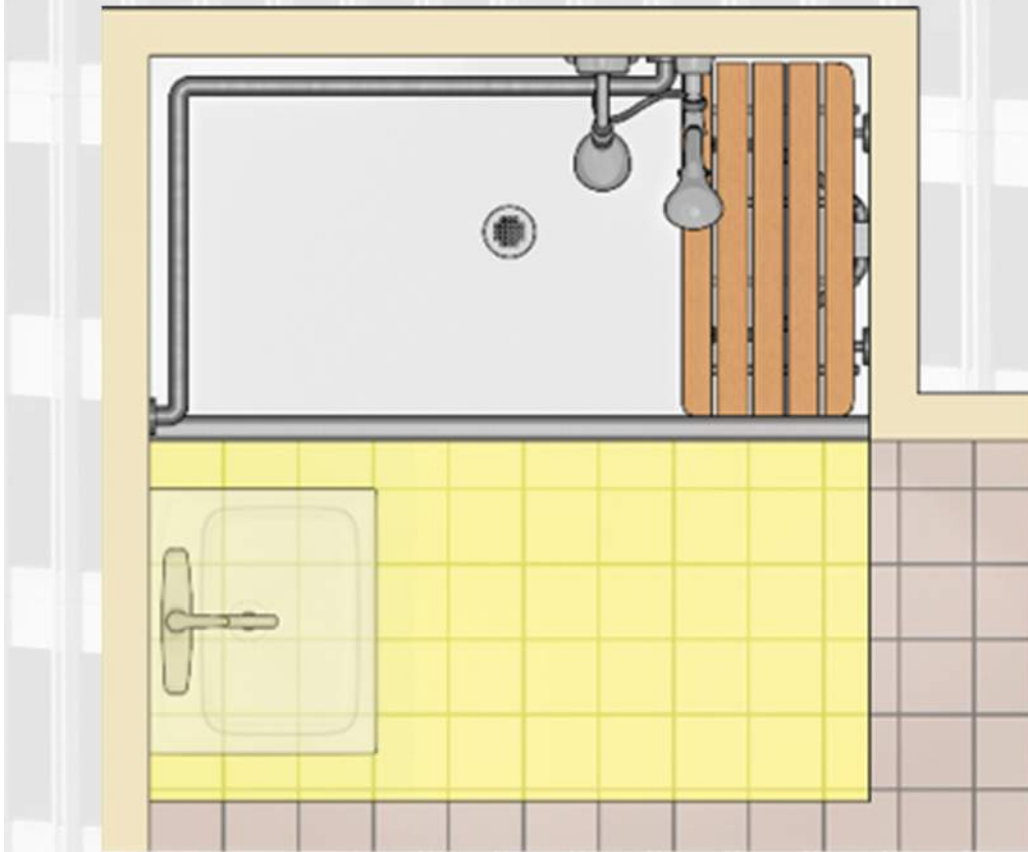
Shower Compartments



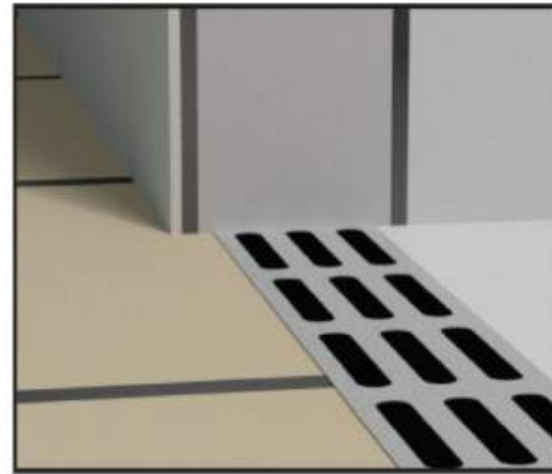
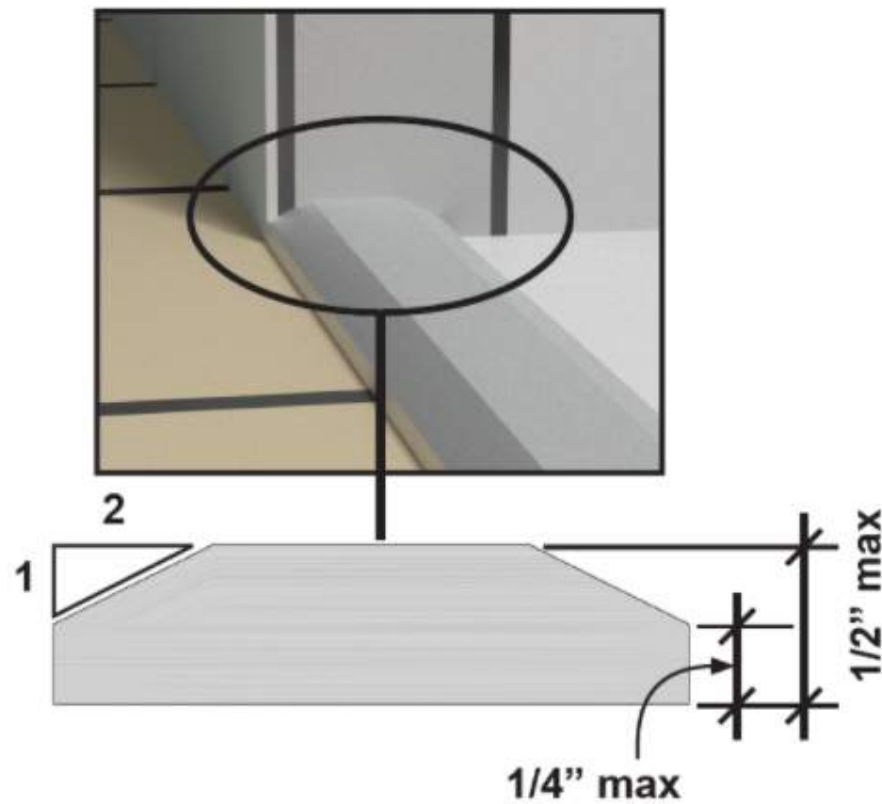
Shower Compartments



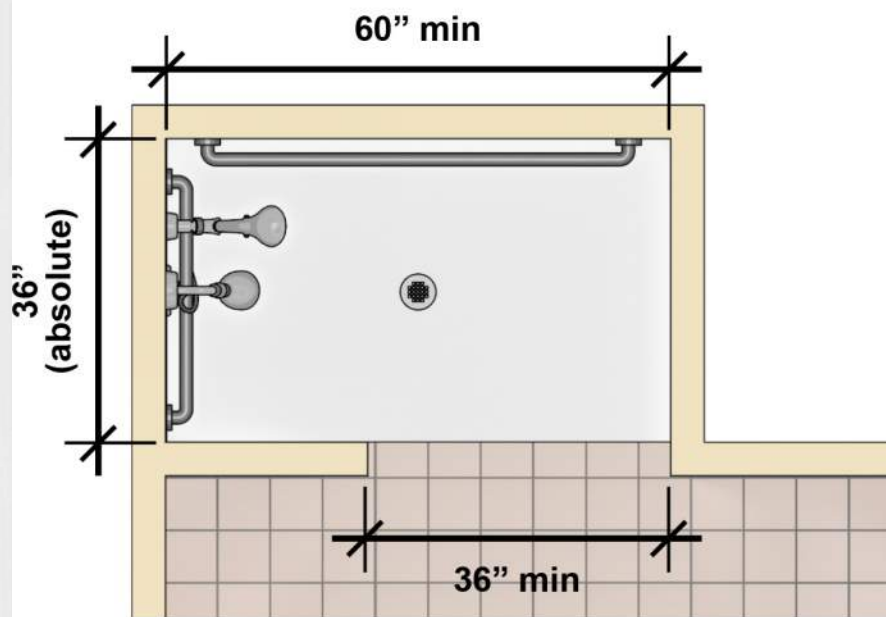
Shower Compartments



Shower Compartments



Shower Compartments



Shower Compartments



*An additional
fixed shower head
can be provided
at any height*

*Usable as both a
hand-held shower
and fixed-position
shower head*



*Hose at least
59" long*

*Faucet controls,
diverter valves,
and other controls
must comply as
operable parts*



To Conclude...

Standards for Accessibility

2010 ADA Standards for Accessible Design

<https://www.ada.gov/regs2010/2010ADAStandards/2010ADAstandards.htm>

Fair Housing Design Manual

<https://www.huduser.gov/portal/publications/PDF/FAIRHOUSING/fairfull.pdf>

ICC A117.1 - 2009

<https://codes.iccsafe.org/content/icca117-12009>

Resources

Fair Housing FIRST

https://www.hud.gov/program_offices/fair_housing_equal_opp/accessibility_first_home

U. S. Access Board

<https://www.access-board.gov/>

ADA National Network

<https://adata.org/>

Department of Justice

<https://www.ada.gov/>



QUESTIONS?

Sarah Strauch
sarah_strauch@marxokubo.com